

Parts Manual

Spray Gun

Series Master II

Issue 3.7 20/02/2019
Ref. NR-00020-ENG



Before starting or carrying out maintenance work on the MASTER II gun, please carefully read all the technical and safety documentation included in the Manual Service. It is important to pay special attention to the information contained to see and understand the handling and conditions of use of the gun. This information is aimed at USER SAFETY and the PREVENTION OF PROBLEMS.



WARRANTY

HI-TECH SPRAY EQUIPMENT, S. A. (hereinafter "HI-TECH") provides this **LIMITED WARRANTY** (hereinafter "Warranty") to the original purchaser (hereinafter "Customer") covering this equipment and the original HI-TECH manufactured accessories delivered with the equipment (hereinafter "Product") against defects in material or workmanship of the Product (hereinafter "Defect" or "Defective") for a period of two (2) years from the date of first purchase as shown on the original HI-TECH invoice (hereinafter "Warranty Period").

If during the Warranty Period under normal use, the Product is suspected by Customer to be Defective in material or workmanship, it is Customer's responsibility to contact HI-TECH and return the Product to HI-TECH as directed by HI-TECH, freight prepaid. If HI-TECH determines that the Product is Defective and that such Defect is covered by this Warranty, HI-TECH will credit Customer for the reasonable freight charges incurred by Customer in returning the Defective Product to HI-TECH, and HI-TECH (or its authorized agent) will, at HI-TECH's option, repair or replace the Product, subject to the following:

Original Invoice: The original invoice must be kept as proof of the date of first sale and the Product serial number. The Warranty does not cover any Product if the Original Invoice appears to have been modified or altered, or when the serial number on the Product appears to have been altered or defaced.

Product Maintenance: It is the Customer's responsibility to maintain the Product properly. See your maintenance schedule and owner's manual for details. The Warranty does not cover an improperly maintained Product.

Non-HI-TECH Components and Accessories: Non-HI-TECH manufactured components and accessories that are used in the operation of the Product are not covered by this Warranty. Such components and accessories shall be subject to the warranty offered to the Customer, if any, by the original manufacturer of such component or accessory.

Other Warranty Exclusions: The Warranty does not cover any Product that HI-TECH determines has been damaged or fails to operate properly due to misuse, negligence, abuse, carelessness, neglect, or accident. By way of example only, this includes:

- Normal wear and tear.
- Improper or unauthorized installation, repair, alteration, adjustment or modification of the Product.
- Use of heating devices, pumping equipment, dispensers, or other parts or accessories with the Product that have not been approved or manufactured by HI-TECH.
- Failure to follow the operating instructions and recommendations provided by HI-TECH.
- Cosmetic damage.
- Fire, flood, "acts of God," or other contingencies beyond the control of HI-TECH.

THE WARRANTY DESCRIBED HEREIN IS THE EXCLUSIVE REMEDY FOR THE CUSTOMER AND IS IN LIEU OF ALL OTHER WARRANTIES, EXPRESS, IMPLIED, STATUTORY OR OTHERWISE, AND THE IMPLIED WARRANTIES OF MERCHANTABILITY AND FITNESS FOR A PARTICULAR PURPOSE AND ALL OTHER WARRANTIES ARE HEREBY DISCLAIMED. TO THE FULLEST EXTENT PERMITTED BY LAW, HI-TECH SHALL NOT BE RESPONSIBLE, WHETHER BASED IN CONTRACT, TORT (INCLUDING, WITHOUT LIMITATION, NEGLIGENCE), WARRANTY OR ANY OTHER LEGAL OR EQUITABLE GROUNDS, FOR ANY CONSEQUENTIAL, INDIRECT, INCIDENTAL, LOST PROFITS, SPECIAL, PUNITIVE OR EXEMPLARY DAMAGES, WHETHER TO PERSON OR PROPERTY, ARISING FROM OR RELATING TO THE PRODUCT, EVEN IF HI-TECH HAS BEEN ADVISED OF THE POSSIBILITY OF SUCH LOSSES OR DAMAGES.

Non-Warranty Service by HI-TECH: If HI-TECH determines that the suspected Defect of the Product is not covered by this Warranty, disposition of the Product will be made pursuant to the terms and conditions of HI-TECH's written estimate on a time and materials basis.

Continuing Warranty for Products Repaired or Replaced under Warranty: Following the repair or replacement of a Product covered by this Warranty, such Product will continue to be subject to the original Warranty for the remainder of original Warranty Period or for three (3) months from the repair or replacement date, whichever is longer.

No Rights Implied: Nothing in the sale, lease or rental of any Product by HI-TECH shall be construed to grant any right, interest or license in or under any patent, trademark, copyright, trade secret or other proprietary right or material owned by anyone; nor does HI-TECH encourage the infringement of same.

Exclusive Warranty: This writing is the final, complete, and exclusive expression of the Warranty covering the Product. Any statements made by HI-TECH, its employees or agents that differ from the terms of this Warranty shall have no effect. It is expressly understood that Customer's acceptance of this Warranty, by performance or otherwise, is upon and subject solely to the terms and conditions hereof, and any additional or different terms and conditions proposed or expressed by Customer or anyone, whether in writing or otherwise, are null and void unless specifically agreed to in writing by an Officer of HI-TECH.



STANDARD FINAL ASSEMBLY

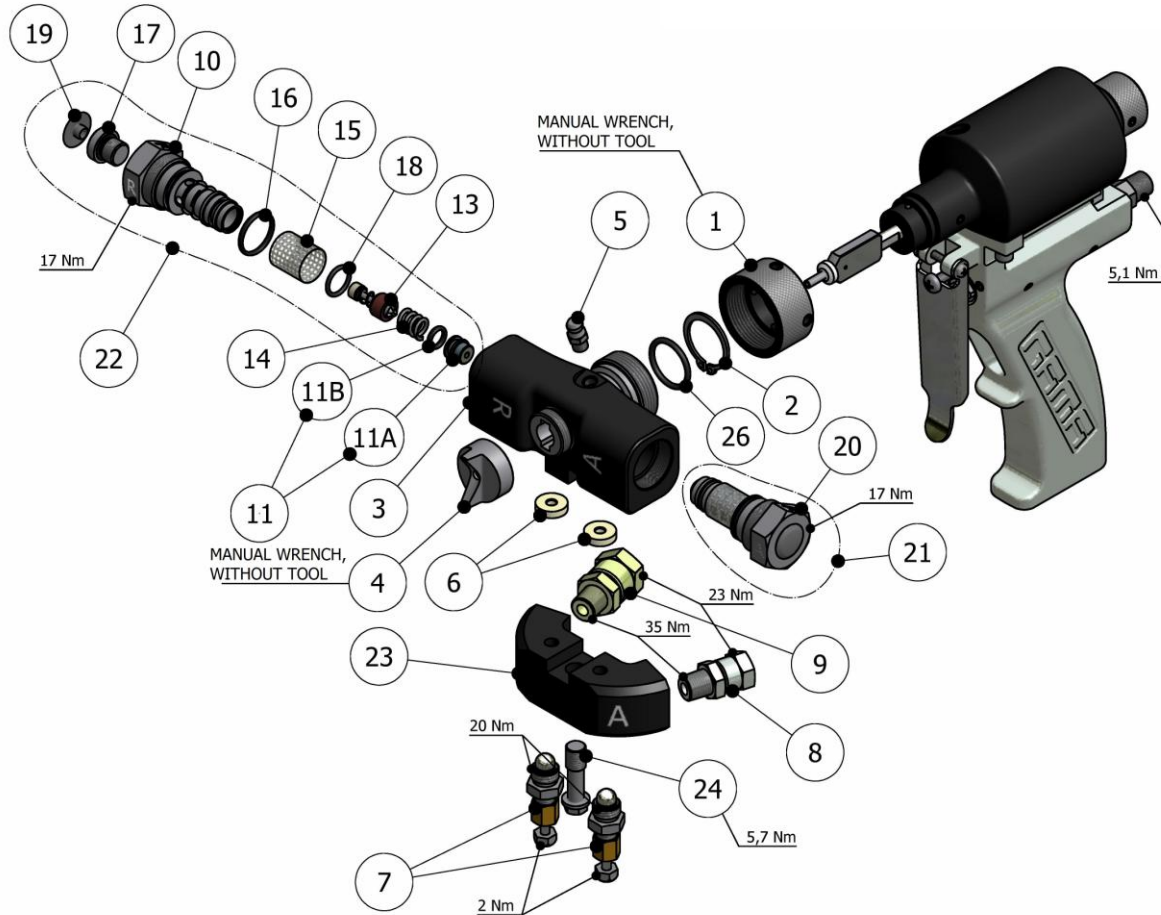


Figure 1. Standard Final Assembly, Master II Gun

**Table 1. Standard Final Assembly Parts List
Master II Gun**

Item	Description	Par Number	Qty.
1	Block Fixture Nut	GU-02107	1
2	Retention Ring	TN-00218	1
3	Mixing Block Unit	GU-02108-00	1
4	Diffuser	See Table 9	1
5	Greaser	TN-00292	1
6	Input Block Seal	GU-03012	2
7	Manual Valve Unit	GU-02020-00	2



Master II Spray Gun

Parts Manual

Item	Description	Par Number	Qty.
8	Male Joint- Free Nut	RA-00005	1
9	Male Joint- Free Nut	RA-00006	1
10	POL Side Cartridge Housing	GU-02103	1
11	Assy Metal Seal Bushing, include item 11A & 11B (for Small Size Chambers #0,1,2,3)	GU-02031	2
	Assy Metal Seal Bushing, include item 11A & 11B (for Small Size Chambers #4, 5)	GU-02049	2
11A	Metal Seal Bushing for Small Size Chambers #0,1,2,3	GU-02031-03	2
	Metal Seal Bushing for Large Size Chambers #4,5	GU-02049-02	2
11B	O-ring	OR-00024	2
13	Non-Return Unit	GU-02113-00	2
14	Metal Contact Bushing Spring	SP-00005	2
15	Filter 40 (standard), 60 & 80 Mesh (optional)	GU-02112-40 /60/80	2
16	O-ring	OR-00036	2
17	Stopper	RA-00211	2
18	O-ring	OR-00069	2
19	Protection Stopper	RA-00241	2
20	ISO Side Cartridge Housing	GU-02102	1
21 (#1)	ISO Side Cartridge Unit for Small Size Chambers #0,1,2,3	GU-02102-00	1
	ISO Side Cartridge Unit for Large Size Chambers #4,5	GU-02102-01	1
22 (#2)	POL Side Cartridge Unit for Small Size Chambers#0,1,2,3	GU-02103-00	1
	POL Side Cartridge Unit for Large Size Chambers #4,5	GU-02103-01	1
23	Input Block Unit	GU-02115-00	1
24	Input Block Screw	GU-04036	1
25			
26	O-ring	OR-00055	1

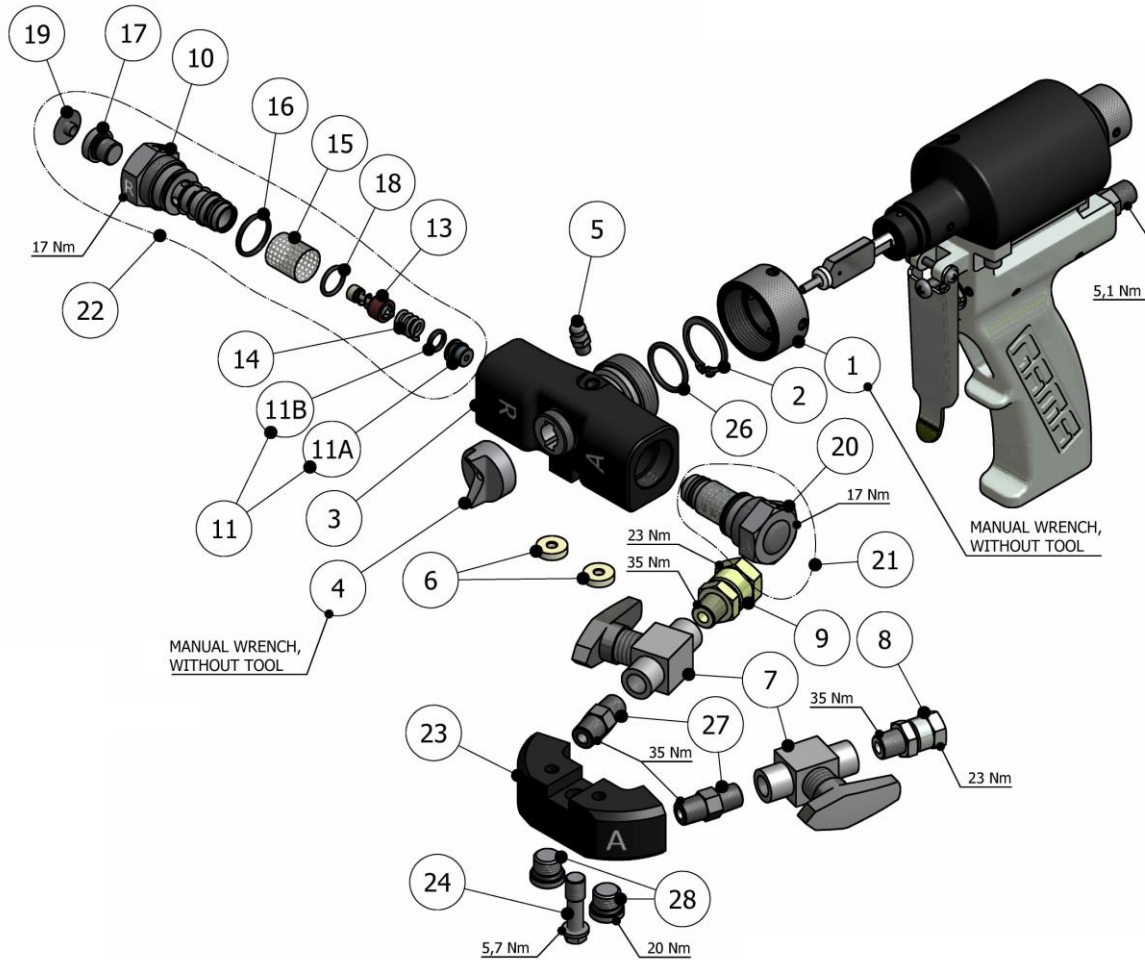
(#1) Item. 21, includes from Item. 11 to Item. 20 (one unit of each).

(#2) Item 22, includes from Item. 10 to Item. 19 (one unit of each).

Item 11A & 11B, are included in item 11.



BALL VALVE FINAL ASSEMBLY (OPTIONAL)



**Figure 2. Ball Valve Final Assembly (OPTIONAL)
Master II Gun**

**Table 2. Ball Valve Final Assembly Parts List (OPTIONAL)
Master II Gun**

Item	Description	Reference	Qty.
1	Block Fixture Nut	GU-02107	1
2	Retention Ring	TN-00218	1
3	Mixing Block Unit	GU-02108-00	1
4	Diffuser	See Table 9	1
5	Greaser	TN-00292	1



Master II Spray Gun

Parts Manual

Item.	Description	Reference	Qty.
6	Input Block Seal	GU-03012	2
7	Ball Valve	RA-00070H	2
8	Male Joint- Free Nut	RA-00005	1
9	Male Joint- Free Nut	RA-00006	1
10	POL Side Cartridge Housing	GU-02103	1
11	Assy Metal Seal Bushing, include item 11A & 11B (for Small Size Chambers #0,1,2,3)	GU-02031	2
	Assy Metal Seal Bushing, include item 11A & 11B (for Small Size Chambers #4, 5)	GU-02049	2
11A	Metal Seal Bushing for Small Size Chambers #0,1,2,3	GU-02031-03	2
	Metal Seal Bushing for Large Size Chambers #4,5	GU-02049-02	2
11B	O-ring	OR-00024	2
13	Non-Return Unit	GU-02113-00	2
14	Metal Contact Bushing Spring	SP-00005	2
15	Filter 40 (standard), 60 & 80 Mesh (optional)	GU-02112-40 /60/80	2
16	O-ring	OR-00036	2
17	Stopper	RA-00211	2
18	O-ring	OR-00069	2
19	Protection Stopper	RA-00241	2
20	ISO Side Cartridge Housing	GU-02102	1
21 (#1)	ISO Side Cartridge Unit for Small Size Chambers #0,1,2,3	GU-02102-00	1
	ISO Side Cartridge Unit for Large Size Chambers #4,5	GU-02102-01	1
22 (#2)	POL Side Cartridge Unit for Small Size Chambers#0,1,2,3	GU-02103-00	1
	POL Side Cartridge Unit for Large Size Chambers #4,5	GU-02103-01	1
23	Input Block Unit	GU-02115-00	1
24	Input Block Screw	GU-04036	1
25			
26	O-ring	OR-00055	1
27	Pillar	RA-00112	2
28	Stopper	RA-00242	2

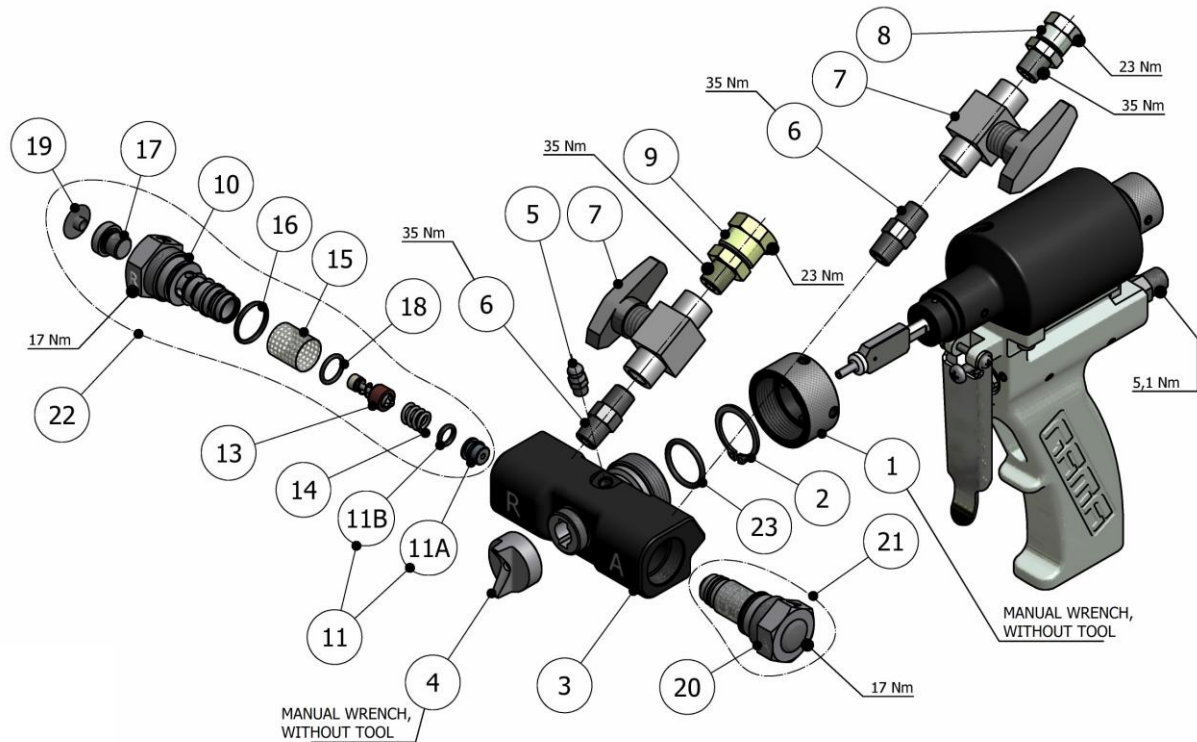
(#1) Item. 21, includes from Item. 11 to Item. 20 (one unit of each).

(#2) Item 22, includes from Item. 10 to Item. 19 (one unit of each).

Item 11A & 11B, are included in item 11.



DIRECT INPUT FINAL ASSEMBLY (OPTIONAL)



**Figure 3. Direct Input Final Assembly (OPTIONAL)
Master II Gun**

**Table 3. Direct Input Final Assembly Parts List (OPTIONAL)
Master II Gun**

Item.	Description	Reference	Qty.
1	Block Fixture Nut	GU-02107	1
2	Retention Ring	TN-00218	1
3	Direct Input Mixing Block Unit	GU-02128-00	1
4	Diffuser	See Table 9	1
5	Greaser	TN-00292	1
6	Pillar	RA-00112	2
7	Ball Valve	RA-00070H	2
8	Male Joint- Free Nut	RA-00005	1
9	Male Joint- Free Nut	RA-00006	1
10	POL Side Cartridge Housing	GU-02103	1



Master II Spray Gun

Parts Manual

Item.	Description	Reference	Qty.
11	Assy Metal Seal Bushing, include item 11A & 11B (for Small Size Chambers #0,1,2,3)	GU-02031	2
	Assy Metal Seal Bushing, include item 11A & 11B (for Small Size Chambers #4, 5)	GU-02049	2
11A	Metal Seal Bushing for Small Size Chambers #0,1,2,3	GU-02031-03	2
	Metal Seal Bushing for Large Size Chambers #4,5	GU-02049-02	2
11B	O-ring	OR-00024	2
13	Non-Return Unit	GU-02113-00	2
14	Metal Contact Bushing Spring	SP-00005	2
15	Filter 40 (standard), 60 & 80 Mesh (optional)	GU-02112-40 /60/80	2
16	O-ring	OR-00036	2
17	Stopper	RA-00211	2
18	O-ring	OR-00069	2
19	Protection Stopper	RA-00241	2
20	ISO Side Cartridge Housing	GU-02102	1
21 (#1)	ISO Side Cartridge Unit for Small Size Chambers #0,1,2,3	GU-02102-00	1
	ISO Side Cartridge Unit for Large Size Chambers #4,5	GU-02102-01	1
22 (#2)	POL Side Cartridge Unit for Small Size Chambers#0,1,2,3	GU-02103-00	1
	POL Side Cartridge Unit for Large Size Chambers #4,5	GU-02013-01	1
23	O-ring	OR-00055	1

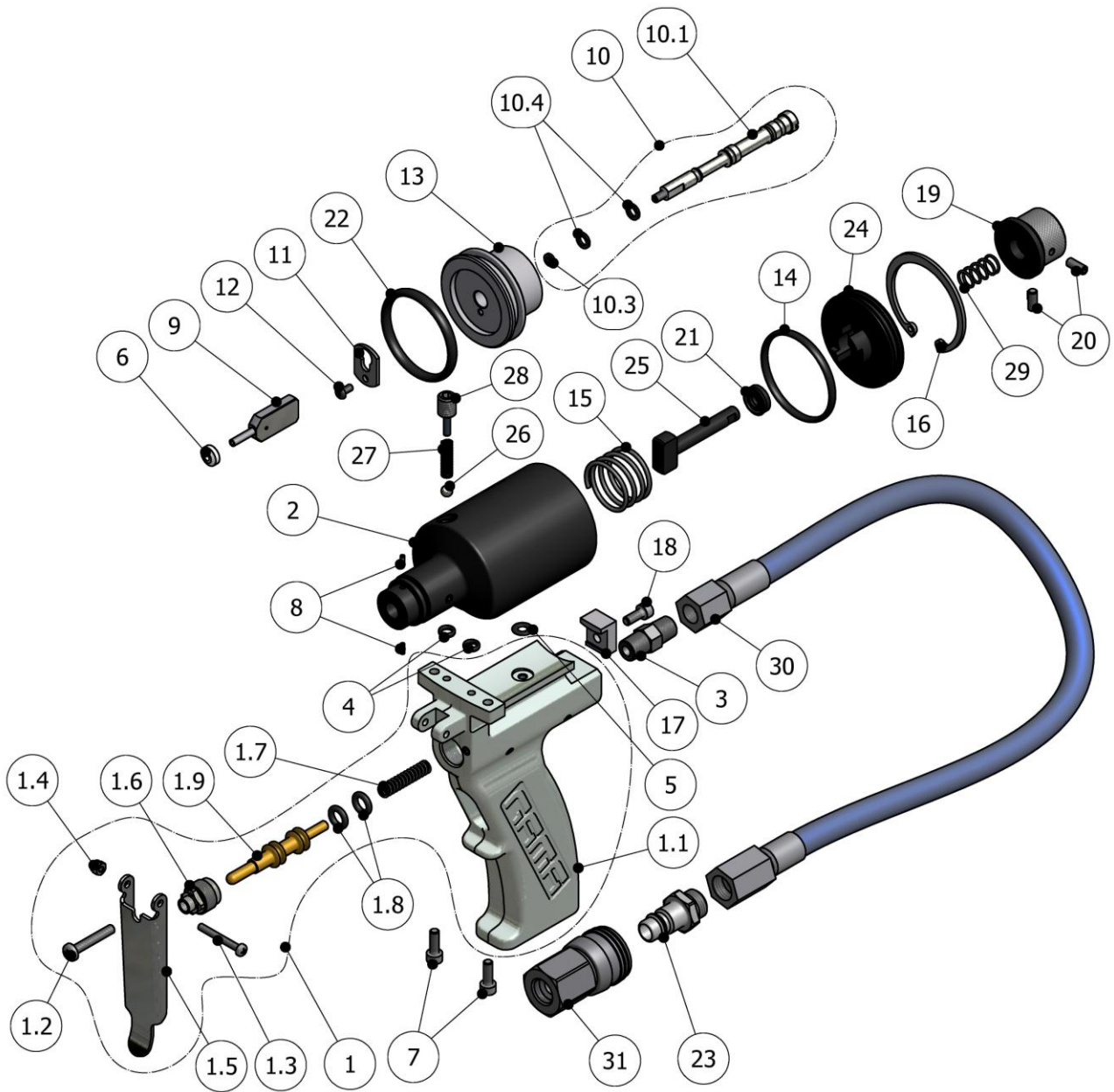
(#1) Item. 21, includes from Item. 11 to Item. 20 (one unit of each).

(#2) Item 22, includes from Item. 10 to Item. 19 (one unit of each).

Item 11A & 11B, are included in item 11.



AIR CYLINDER AND GRIP ASSEMBLY



**Figure 4. Air Cylinder and Grip Assembly
Master II Gun**



**Table 4. Air Cylinder and Grip Parts List
Master II Gun**

Item	Description	Reference	Qty.
1	Handle Assy with Trigger	GU-02129-02	1
1.1	Handle with Plugs (*)	GU-02129-01	1
1.1A	Handle Mechanized and Polished without Plugs (°)	GU-02129-00	1
1.1B	Plug (°)	TN-00251	6
1.2	Trigger Stop Bolt (*)	TN-00235	1
1.3	Trigger Screw (*)	TN-00459	1
1.4	Retention Nut (*)	TN-00460	1
1.5	Trigger (*)	GU-02132	1
1.6	Trigger Valve Nut (*)	GU-02131	1
1.7	Trigger Spring (*)	SP-00022	1
1.8	O-ring (*)	OR-00079	2
1.9	Trigger Shaft (*)	GU_02130	1
2	Double Effect Cylinder Sleeve	GU-02101	1
2.1	Plug (#)	TN-00251	2
3	Hex. Nipple	RA-00112	1
4	O-ring	OR-00002	2
5	O-ring	OR-00024	1
6	Chamber Seal	See Table 9	1
7	Cylindrical Head Screw	TN-00049	2
8	Pin	TN-00214	2
9	Chamber	See Table 9	1
10	Double Effect Plunger Shaft Unit (#)	GU-02163-00	1
10.1	Double Effect Plunger Shaft (included in Pos. 10)	GU-02163-01	1
10.2	Threaded rod (included in Pos. 10)	TN-00010	1
10.3	O-ring	OR-00028	1
10.4	O-ring	OR-00002	2
11	Retention Plate	GU-02163-02	1
12	ULS Screw	TN-00458	1
13	Plunger	GU-02009-01	1



Item	Description	Reference	Qty.
14	O-ring	OR-00026	1
15	Plunger Spring	SP-00007	1
16	Retention Ring	TN-00092	1
17	Sleeve Staple	GU-02021	1
18	Cylindrical Head Screw	TN-00002	1
19	Block Activator	GU-02007	1
20	Threaded Bolt	TN-00099	2
21	Collar	OR-00027	1
22	O-ring	OR-00029	1
23	Air Connector	RA-00110	1
24	Cylinder Block	GU-02003	1
25	Lock Bolt	GU-02008	1
26	Non-Return Ball	TN-00228	1
27	Non-Return Spring	SP-00021	1
28	Ball Stop	GU-02120	1
29	Blocking Spring	SP-00008	1
30	Hose Air Supply	MA-00027	1
31	Quick Connect Air Supply	RA-00109	1

(#) Includes 2 x Item 10.4 and 1 x Item 10.3

(*) Parts included in Item 1

(°) Parts included in Item 1.1

(#) Parts included in Item 2

MAGNETIC SWITCH ASSEMBLY (OPTIONAL)

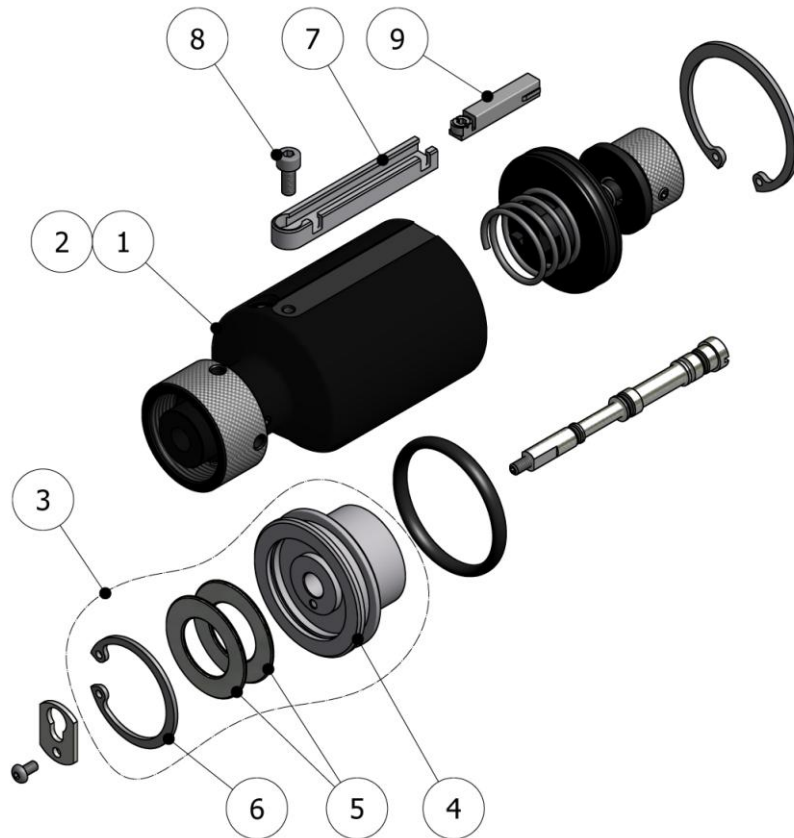


Figure 5. Magnetic Switch Assembly (OPTIONAL)



Table 5. Magnetic Switch Assembly Parts List (OPTIONAL)

Item	Description	Reference	Qty.
1	Magnetic Switch Air Cylinder	GU-02101-01	1
2	Magnetic Switch Air Cylinder for Timer & Auto Version	GU-02101-03	1
	Plug (#)	TN-00251	2+2
3	Magnetic Plunger Unit (includes Pos. 4, 5 and 6)	GU-02059-00	1
4	Magnetic Plunger (included in Pos. 3)	GU-02059-01	1
5	Neodymium Magnet (included in Pos. 3)	GU-02034-02	2
6	Retention Ring (included in Pos. 3)	TN-00009	1
7	Magnetic Switch Bracket	GU-02051	1
8	Cylindrical Head Screw	TN-00002	1
9	Magnetic Switch with cable 2.5 m + Square Connector.	EL-00136-04	1

N.B.:

Fit the correct Air Cylinder for the gun version; Standard or Automatic/Timer.

(#) 2 Plugs included in item 1 and 2 plugs included in item 2

ASSEMBLY FOR TIMER (OPTIONAL)

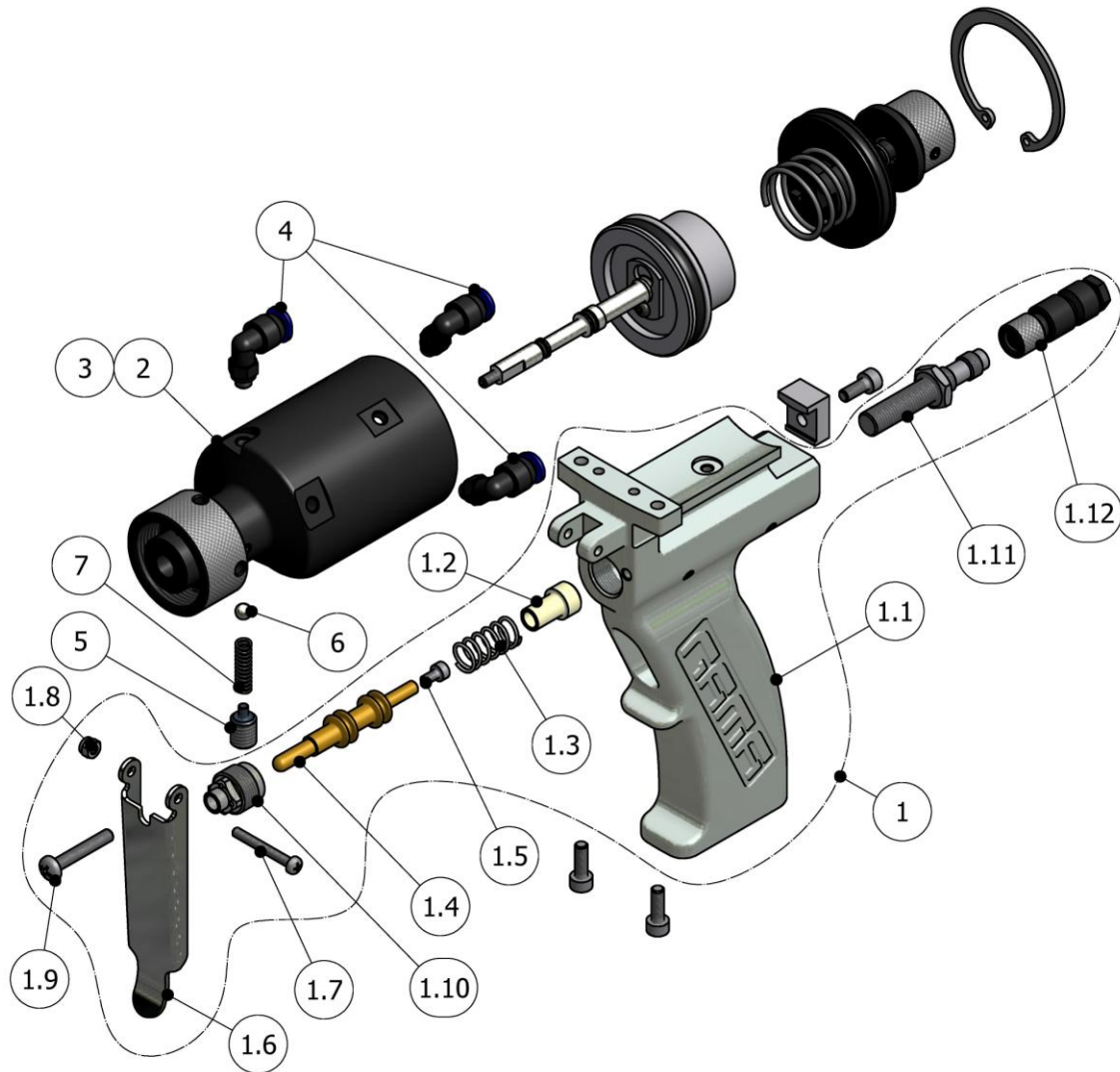


Figure 6. Assembly for Timer (OPTIONAL)



Table 6. Assembly for Timer Parts List (OPTIONAL)

Item	Description	Reference	Qty.
1	Handle Assy with Trigger for Timer	GU-02129-02A	1
1.1	Handle Mechanized and Polished (*)	GU-02129-A0	1
1.2	Timer Trigger Spring Seat (*)	GU-02135	1
1.3	Timer Trigger Spring (*)	SP-00023	1
1.4	Timer Trigger Shaft (*)	GU-02130-A	1
1.5	Cylindrical Head Screw (*)	TN-00020	1
1.6	Trigger (*)	GU-02132	1
1.7	Trigger Screw (*)	TN-00459	1
1.8	Retention Nut (*)	TN-00460	1
1.9	Trigger Stop Bolt (*)	TN-00235	1
1.10	Trigger Valve Nut (*)	GU-02131	1
1.11	Inductive Switch (*)	EL-00136-02	1
1.12	Cable Switch with Connectors (*)	EL-00136-07	1
2	Air Cylinder for Timer & Auto Version	GU-02101-02	1
3	Magnetic Switch Air Cylinder for Timer & Auto Version	GU-02101-03	1
	Plug (#)	TN-00251	2+2
4	Kneed Pneumatic Connection	RA-00088	3
5	Ball Stop	GU-02126	1
6	Non-Return Ball	TN-00228	1
7	Non-Return Spring	SP-00021-01	1

N.B.:

Fit the right Air Cylinder for the standard version of the gun with Timer or for the gun with Timer and Switch.

(*) Parts included in Item 1

(#) 2 Plugs included in item 2 and 2 plugs included in item 3

ASSEMBLY FOR AUTO VERSION (OPTIONAL)

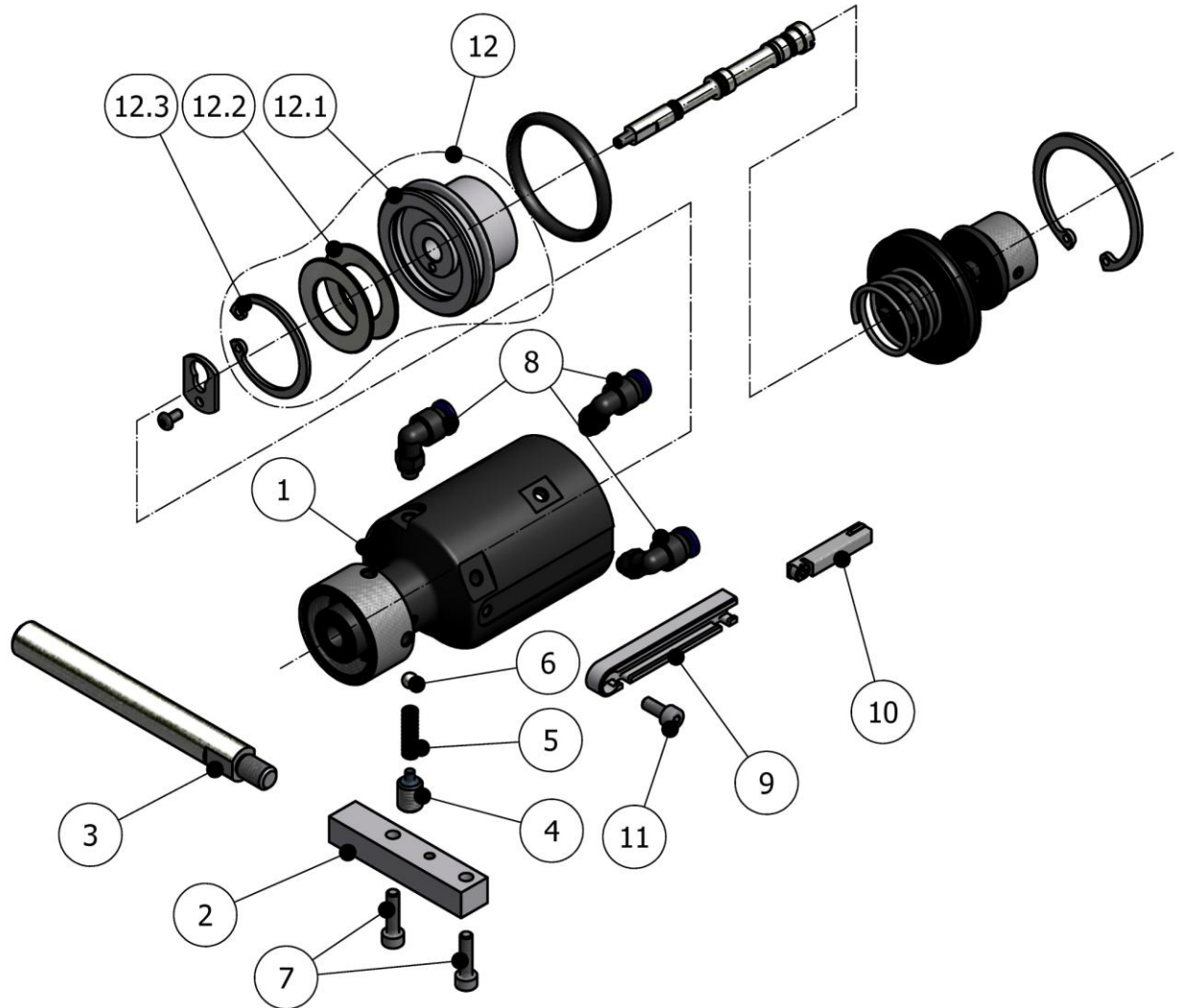


Figure 7. Assembly for Auto Version (OPTIONAL)



Table 7. Assembly for Auto Version Parts List (OPTIONAL)

Item	Description	Reference	Qty.
1	Air Cylinder for Auto Version	GU-02101-03	1
	Plug (#)	TN-00251	2
2	Auto Gun Support	GU-02055	1
3	Connecting Rod	GU-02056	1
4	Ball Stop	GU-02126	1
5	Non-Return Spring	SP-00021-01	1
6	Non-Return Ball	TN-00228	1
7	Allen Bolt	TN-00001	2
8	90° Elbow Connector	RA-00088	3
9	Magnetic Switch Bracket	GU-02051	1
10	Magnetic Switch with cable 2.5m + Square Connector	EL-00136-04	1
11	Allen Bolt	TN-00002	1
12	Magnetic Piston Assy (Include Item.12.1, 12.2 & 12.3)	GU-02059-00	1
12.1	Magnetic Piston (included in Item.12)	GU-02059-01	1
12.2	Neodymium Magnet (included in Item.12)	GU-02034-02	2
12.3	Retention Ring (included in Item.12)	TN-00009	1

(#) Parts included in Item 1

ROUND FAN ASSEMBLY

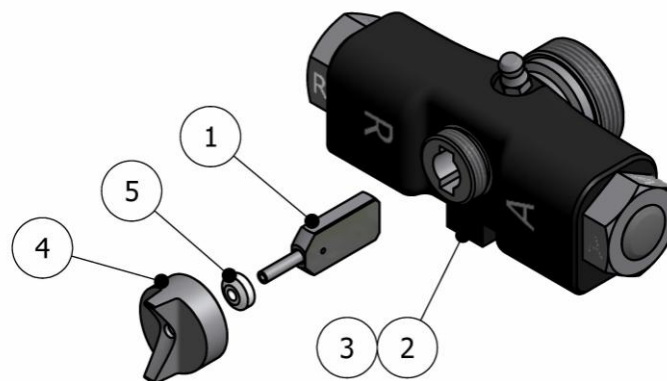


Figure 8. Round Fan Assembly

Table 8. Round Fan Assembly Parts List

Item	Description	Reference	Qty.
1	"Round" Mixing Chamber	See Table 9	1
2	Mixing Block Unit (Standard)	GU-02108-00	1
3	Direct Input Mixing Block Unit (Optional)	GU-02128-00	1
4	Air Cap	See Table 9	1
5	Air Seal	See Table 9	1



Table 9. List of Components depending on Round Chamber Production

Production (Kg/min.)	Mixing Chamber Item 1	Air Cap Item 4	Air Seal Item 5
1,4 – 4,2	GU-02035	GU-02104	GU-02024
1,5 – 5,3	GU-02011-0	GU-02104	GU-02024
2,1 – 6,7	GU-02011	GU-02104	GU-02024
3,7 – 10,5	GU-02012	GU-02104	GU-02024
4,6 – 12,7	GU-02013	GU-02104	GU-02024
6,8 – 18,5	GU-02014	GU-02104	GU-02024
8,5 – 19,2	GU-02015	GU-02105	GU-02023
8,5 – 20,2	GU-02016	GU-02105	GU-02023
2,1 – 6,7	GU-02205	GU-02104	GU-02024
1,5 – 5,3	GU-02204	GU-02104	GU-02024

NB: Outputs are approximated, values can change depending on the densities and temperatures of the chemicals.

Test fluid: Mesamoll. Dynamic stickiness: 100-130 mPa.s. Thickness: from 1,04 to 1,07 Kg/L. Pressure 40- 250 bar.

To see the components included in the Round Mixing Chamber Assy, to consult the Table 10.



Table 10. List of Components Included in Round Mixing Chamber Assy

Size	Chamber Assy	Chamber Item 1	Clean Drill 1	Clean Drill 2	Air Seal Item 5
000	GU-02035-00	GU-02035	HT-00027	HT-00079	GU-02024
00	GU-02011-000	GU-02011-0	HT-00104	HT-00023	GU-02024
0	GU-02011-00	GU-02011	HT-00062	HT-00063	GU-02024
1	GU-02012-00	GU-02012	HT-00064	HT-00065	GU-02024
2	GU-02013-00	GU-02013	HT-00029	HT-00062	GU-02024
3	GU-02014-00	GU-02014	HT-00030	HT-00064	GU-02024
4	GU-02015-00	GU-02015	HT-00013	HT-00014	GU-02023
5	GU-02016-00	GU-02016	HT-00089	HT-00030	GU-02023
A0	GU-02205-00	GU-02205	HT-00066	HT-00087	GU-02024
A00	GU-02204-00	GU-02204	HT-00064	HT-00022	GU-02024



FLAT FAN ASSEMBLY

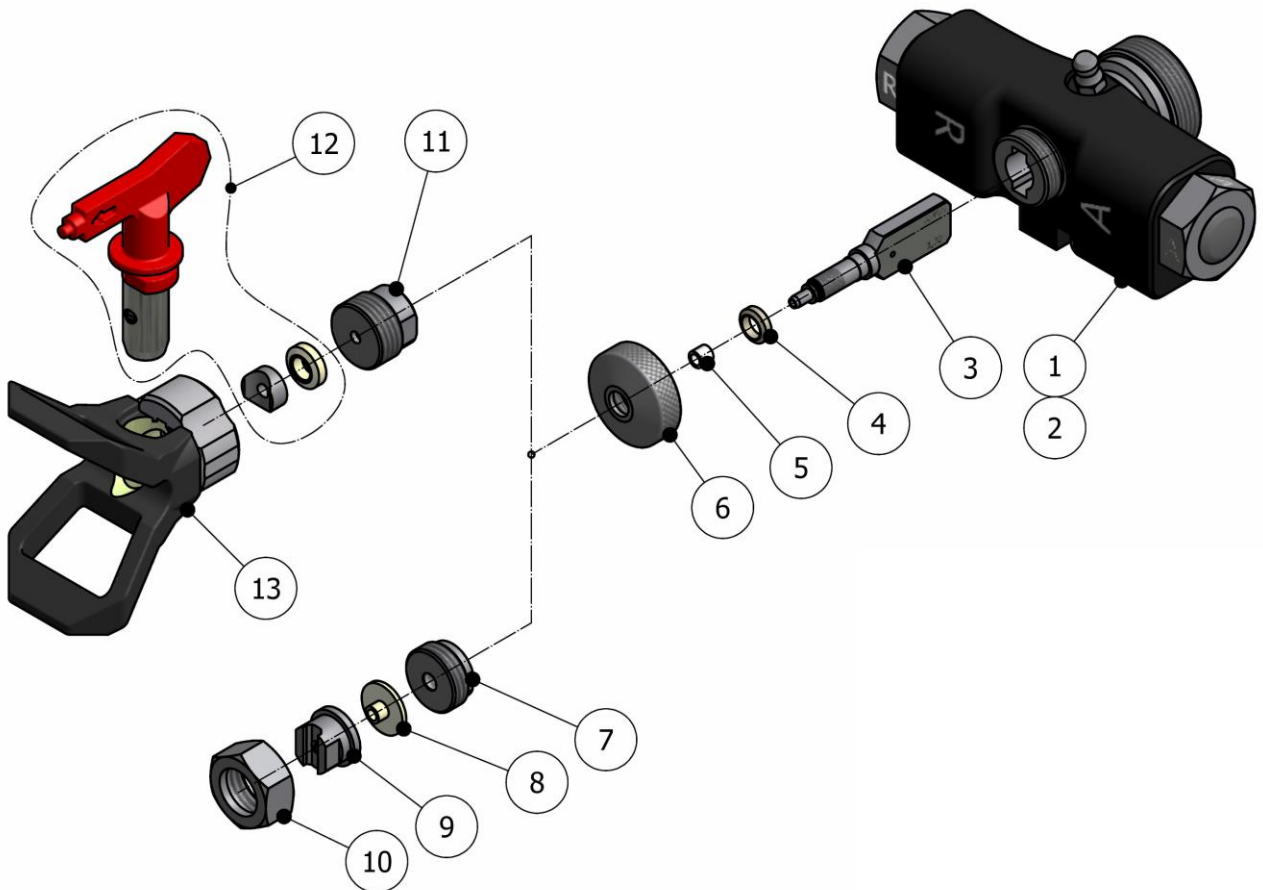


Figure 9. Flat Fan Assembly



Table 11. Flat Fan Assembly Parts List

Item	Description	Reference	Qty.
1	Mixing Block Unit (Standard)	GU-02108-00	1
2	Direct Input Mixing Block Unit (Optional)	GU-02128-00	1
3	“Flat” Mix Chamber	See Table 12 & Table 13	1
4	Chamber Seal	GU-02022	1
5	Stem Adjustment Bushing	See Table 12 & Table 13	1
6	Diffuser	GU-02027	1
7	Standard TIP Seat	See Table 12	1
8	TIP Seal	See Table 12	1
9	TIP	See Table 16	1
10	Retention Nut	GU-02042-01	1
11	Reversible TIP Support Adapter (Optional)	See Table 12 & Table 13	1
12	Reversible TIP (Optional)	See Table 17	1
13	Reversible TIP Support (Optional)	GU-05017	1

To see the components included in the Flat Mixing Chamber Assy, to consult the Table 13.

Table 12. Parts List for Flat Chambers with Standard TIP, depending on Production

Production (Kg/min.)	Size	Item 3	Item 5	Item 7	Item 8
		Chamber	Stem Adjustment Bushing	TIP Seat	TIP Seal
2,1 – 6,7	0	GU-02071	-	GU-02090-01	GU-02041-01
3,7 – 10,5	1	GU-02072	-	GU-02090-01	GU-02041-01
4,6 – 12,7	2	GU-02073	-	GU-02090-01	GU-02041-01
6,8 – 18,5	3	GU-02074	-	GU-02090-01	GU-02041-01
8,5 – 19,2	4	GU-02075	GU-02053	GU-02090-02	-
8,5 – 20,2	5	GU-02076	GU-02053	GU-02090-02	-

NB: Outputs are approximated, values can change depending on the densities and temperatures of the chemicals. Test fluid: Mesamoll. Dynamic stickiness: 100-130 mPa.s. Thickness: from 1,04 to 1,07 Kg/L. Pressure 40- 250 bar.



Reversible TIP (OPTIONAL)				
Output (Kg/min.)	SIZE Mixing Chamber	Item.1	Item.5	Item.11
		Mixing Chamber	Stem Adjustment Bushing	Adapter reversible TIP support (OPTIONAL)
2,1 – 6,7	0	GU-02071	GU-02048	GU-02043-01
3,7 – 10,5	1	GU-02072	GU-02048	GU-02043-01
4,6 – 12,7	2	GU-02073	GU-02048	GU-02043-01
6,8 – 18,5	3	GU-02074	GU-02048	GU-02043-01
8,5 – 19,2	4	GU-02075	GU-02053	GU-02054-01
8,5 – 20,2	5	GU-02076	GU-02053	GU-02054-01

NB: Outputs are approximated, values can change depending on the densities and temperatures of the chemicals.

Test fluid: Mesamoll. Dynamic stickiness: 100-130 mPa.s. Thickness: from 1,04 to 1,07 Kg/L. Pressure 40- 250 bar.

Table 13. List of Components Included in Flat Mixing Chamber Assy

Size	Chamber Assy	Chamber Item 3	Clean Drill 1	Clean Drill 2	Air Seal Item 4	Seal Item 5
0	GU-02071-00	GU-02071	HT-00062	HT-00063	GU-02022	-
1	GU-02072-00	GU-02072	HT-00064	HT-00065	GU-02022	-
2	GU-02073-00	GU-02073	HT-00029	HT-00062	GU-02022	-
3	GU-02074-00	GU-02074	HT-00030	HT-00064	GU-02022	-
4	GU-02075-00	GU-02075	HT-00013	HT-00014	GU-02022	GU-02053
5	GU-02076-00	GU-02076	HT-00089	HT-00030	GU-02022	GU-02053

STATIC MIXER ASSEMBLY (OPTIONAL)

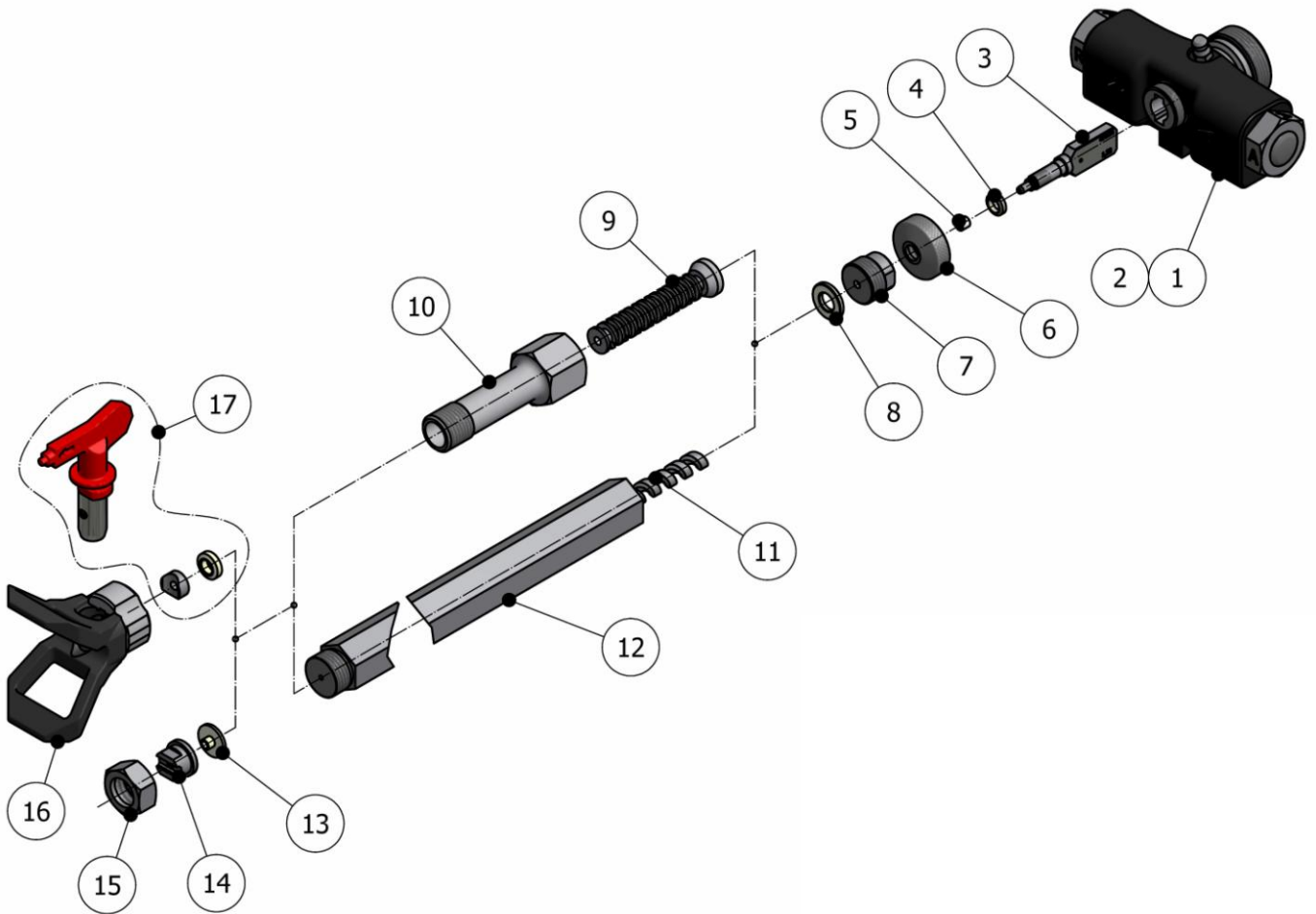


Figure 10. Static Mixer Assembly (OPTIONAL)



Table 14. Static Mixer Assembly Parts List (OPTIONAL)

Item	Description	Reference	Qty.
1	Mixing Block Unit (Standard)	GU-02108-00	1
2	Direct Input Mixing Block Unit (Optional)	GU-02128-00	1
3	“Flat” Chamber	See Table 15	1
4	Chamber Seal	GU-02022	1
5	Stem Adjustment Bushing	See Table 15	1
6	Diffuser	GU-02027	1
7	Static Mixer Adapter	See Table 15	1
8	Seal	GU-05019	1
9	Labyrinth Type Mixer	See Table 19	-
10	Mixer Sleeve	See Table 19	-
11	Mixer	See Table 18	1
12	Mixer Sleeve	See Table 18	1
13	TIP Seal	GU-02041-01	1
14	TIP	See Table 16	1
15	Retention Nut	GU-02042-01	1
16	Reversible TIP Support (Optional)	GU-05017	1
17	Reversible TIP (Optional)	See Table 17	1

To see the components included in the Flat Mixing Chamber Assy, to consult the Table 13.



Table 15. Static Mixer Parts List, depending on Production.

Production (Kg/min.)	Size	Item 3	Item 5	Item 7
		“Flat” Chamber	Stem Adjustment Bushing	Static Mixer Adapter
2,1 – 6,7	0	GU-02071	GU-02048	GU-02043-01
3,7 – 10,5	1	GU-02072	GU-02048	GU-02043-01
4,6 – 12,7	2	GU-02073	GU-02048	GU-02043-01
6,8 – 18,5	3	GU-02074	GU-02048	GU-02043-01
8,5 – 19,2	4	GU-02075	GU-02053	GU-02054-01
8,5 – 20,2	5	GU-02076	GU-02053	GU-02054-01

NB: Outputs are approximated, values can change depending on the densities and temperatures of the chemicals.

Test fluid: Mesamoll. Dynamic stickiness: 100-130 mPa.s. Thickness: from 1,04 to 1,07 Kg/L. Pressure 40- 250 bar.

To see the components included in the Flat Mixing Chamber Assy, to consult the Table 13.



Table 16. List of Standard TIP Sizes

Standard TIP	Orifice Size mm	Pattern Width cm (*)
GU-02045-1910	0.48	10
GU-02045-1915	0.48	15
GU-02045-1920	0.48	20
GU-02045-1930	0.48	30
GU-02045-1935	0.48	35
GU-02045-1940	0.48	40
GU-02045-1945	0.48	45
GU-02045-2310	0.58	10
GU-02045-2315	0.58	15
GU-02045-2320	0.58	20
GU-02045-2325	0.58	25
GU-02045-2330	0.58	30
GU-02045-2335	0.58	35
GU-02045-2340	0.58	40
GU-02045-2720	0.69	20
GU-02045-2725	0.69	25
GU-02045-2730	0.69	30

Table 17. Reversible TIP Sizes

Reversible TIP	Orifice Size mm	Pattern Width cm (*)
GU-05016-2310	0.58	10
GU-05016-2320	0.58	20
GU-05016-2340	0.58	40
GU-05016-2720	0.69	20
GU-05016-2730	0.69	30
GU-05016-3520	0.90	20
GU-05016-3530	0.90	30
GU-05016-3540	0.90	40

() Values obtained with water at 130 bar pressure and 30 cm from the surface to be projected.*

Consult the Marketing department for delivery times for these elements.



Table 18. List of Standard Mixer and Standard Mixer Sleeve depending on Length

Standard Mixer Sleeve	Standard Mixer	Mixer Length mm.
GU-02046-25	GU-02047-25	25
GU-02046-50	GU-02047-50	50
GU-02046-100	GU-02047-100	100
GU-02046-150	GU-02047-150	150
GU-02046-200	GU-02047-200	200
GU-02046-300	GU-02047-300	300
GU-02046-400	GU-02047-400	400
GU-02046-500	GU-02047-500	500

Table 19. List of Labyrinth Mixer and Labyrinth Mixer Sleeve depending on Length

Length	Static Chamber GU-04045	Labyrinth Mixing Element GU-04046	Seal GU-05019
65	1x	1x	1x
130	2x	2x	2x
195	3x	3x	3x
260	4x	4x	4x



Table 20. List of Cleaning Drills

Size	Round Chamber	Flat Chamber	Outlet Drill mm	Reference	Inlets Drill mm	Reference
000	GU-02035-00	-	1,000 (0,95)	HT-00027	0,700 (0,65)	HT-00079
00	GU-02011-000	-	1,130 (1,10)	HT-00104	0,800 (0,75)	HT-00023
0	GU-02011-00	GU-02071-00	1,321 (1,30)	HT-00062	0,910 (0,90)	HT-00063
1	GU-02012-00	GU-02072-00	1,588 (1,55)	HT-00064	1,092 (1,05)	HT-00065
2	GU-02013-00	GU-02073-00	1,780 (1,75)	HT-00029	1,320 (1,30)	HT-00062
3	GU-02014-00	GU-02074-00	2,261 (2,25)	HT-00030	1,600 (1,55)	HT-00064
4	GU-02015-00	GU-02075-00	2,514 (2,50)	HT-00013	1,854 (1,80)	HT-00014
5	GU-02016-00	GU-02076-00	3,175 (3,15)	HT-00089	2,261 (2,25)	HT-00030
A0	GU-02205-00	-	1,520 (1,50)	HT-00066	0,850 (0,80)	HT-00087
A00	GU-02204-00	-	1,600 (1,55)	HT-00064	0,600 (0,55)	HT-00022

Note:

Diameter of hole, (between parenthesis, drill diameter).

ASSEMBLY POUR ADAPTER (OPTIONAL)

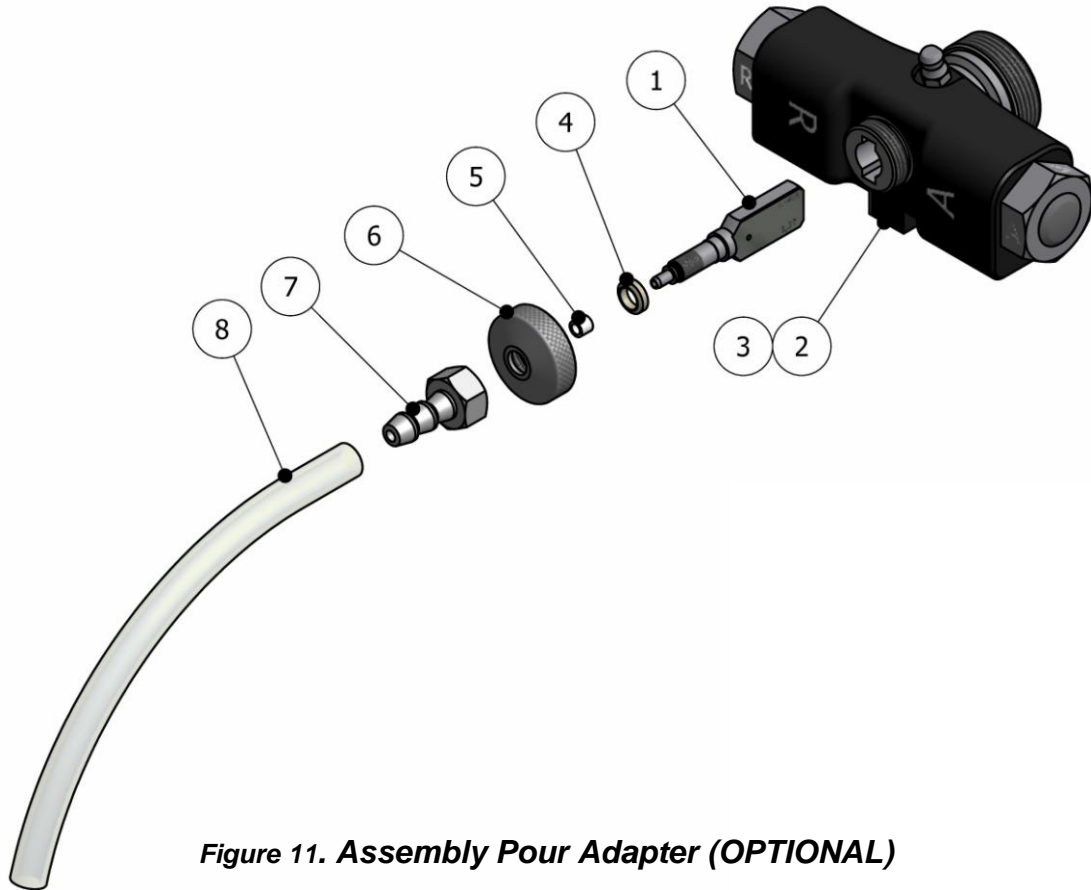


Figure 11. Assembly Pour Adapter (OPTIONAL)

Table 21. Assembly Pour Adapter Parts List (OPTIONAL)

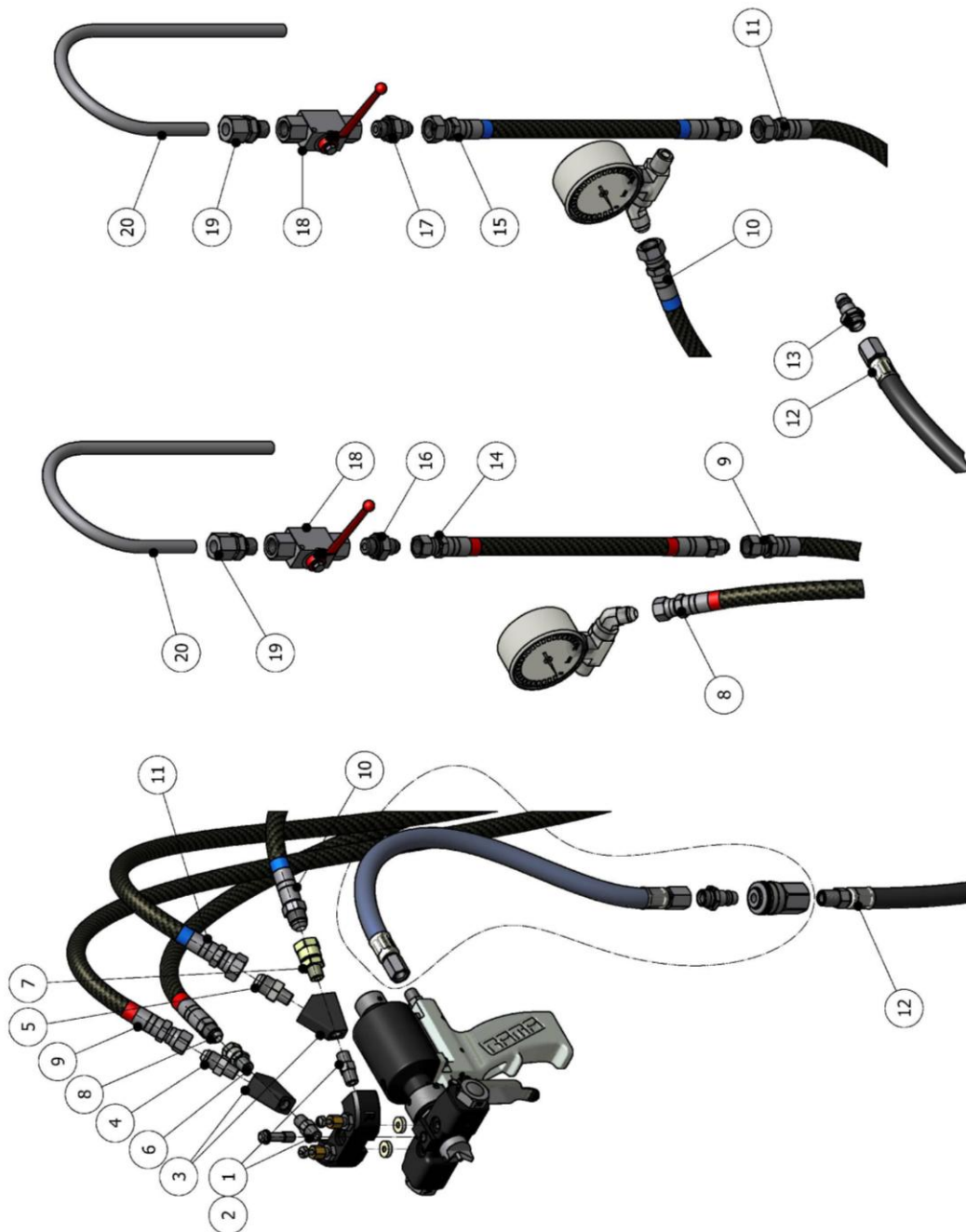
Item	Description	Reference	Qty.
1	"Flat" Chamber	See Table 15	1
2	Mixing Block Unit (Standard)	GU-02108-00	1
3	Direct Input Mixing Block Unit (Optional)	GU-02128-00	1
4	Chamber Seal	GU-02022	1
5	Stem Adjustment Bushing	See Table 15	1
6	Diffuser	GU-02027	1
7	Pouring Hose Adapter	GU-02094-01	1
8	Hose interior dia. 1/4"	NE-00043-SIZE	1

To see the components included in the Flat Mixing Chamber Assy, to consult the Table 13.

The "SIZE" nomenclature of Item 8 defines the required hose length.



RECIRCULATION KIT (OPTIONAL)



**Figure 12. Recirculation Kit (OPTIONAL)
KT-00059-9**



**Table 22. (OPTIONAL) Recirculation Kit, Parts List
KT-00059-9**

Item.	Description	Part Number	Qty.
1	Nipple	RA-00112	2
2	Elbow	RA-00205	2
3	Manifold	RA-00464	2
4	Nipple	RA-00238	1
5	Nipple	RA-00237	1
6	Swivel (*)	RA-00005	1
7	Swivel (*)	RA-00006	1
8	Flex 10000 mm Supply ISO	MA-00060-3	1
9	Flex 10000 mm Recirculation ISO	MA-00060-2	1
10	Flex 10000 mm Supply POL	MA-00059-3	1
11	Flex 10000 mm Recirculation POL	MA-00059-2	1
12	Air Hose	MA-00194	1
13	Air Coupler	RA-00110	1
14	Flex 1000 mm Recirculation Extended ISO	MA-00177	1
15	Flex 1000 mm Recirculation Extended POL	MA-00178	1
16	Nipple	RA-00144	1
17	Nipple	RA-00145	1
18	Ball Valve	RA-00217	2
19	Swivel	RA-00218	2
20	Tube	MQ-06016	2
	Hose Cover 10000 mm	MA-00123	
	Insulating Cover 10000 mm	MA-00099	
	Insulating Cover 8000 mm	MA-00099-1	

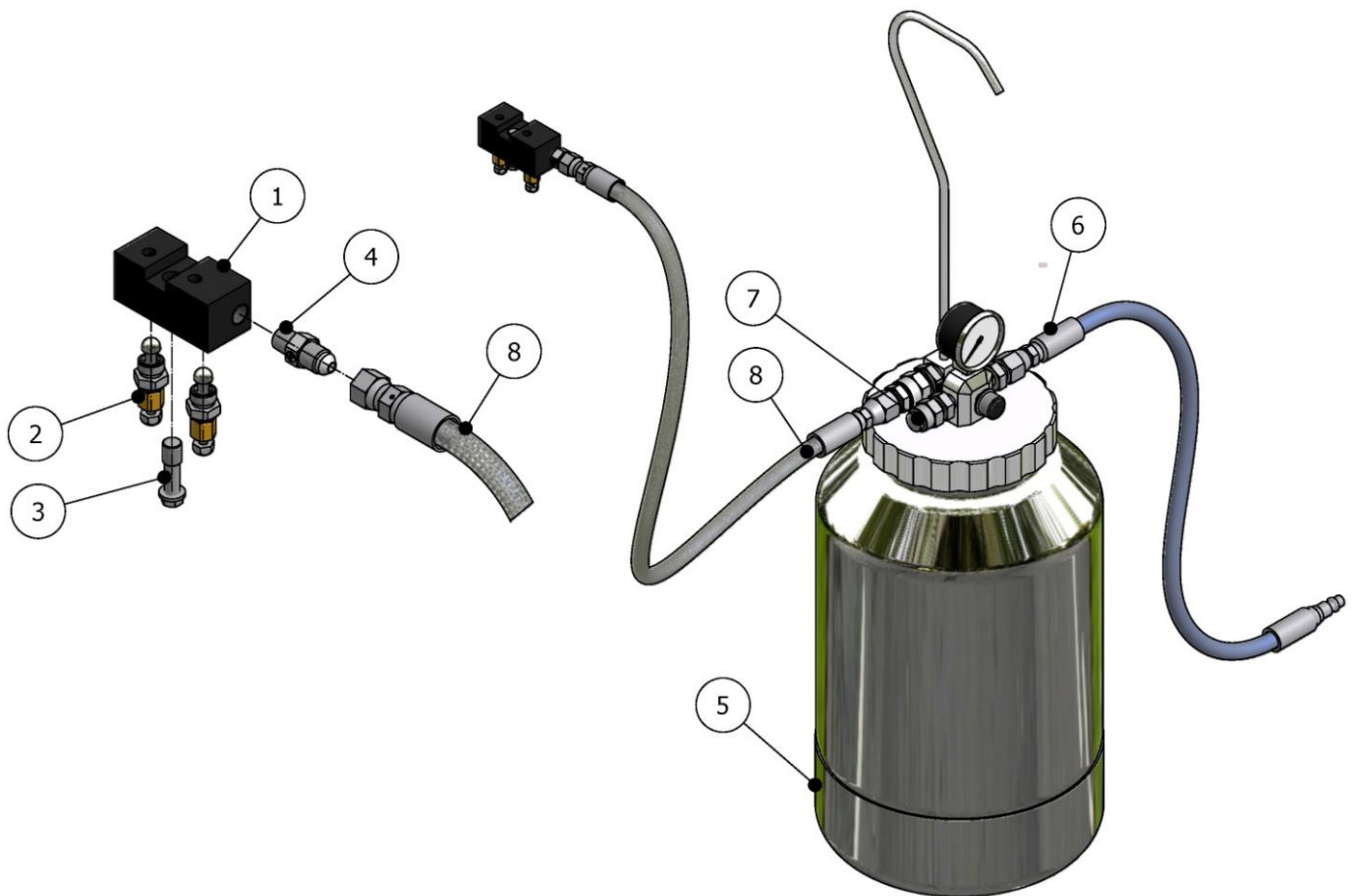
() Parts included in the standard assembly of gun.*

IMPORTANT NOTE:

Consult prices and delivery times with the Marketing Department for all OPTIONAL assemblies, and for the Standard TIP, Reversible TIP and special chamber elements (to order).



CLEANLINESS KIT (OPTIONAL)



**Figure 13. Cleanliness Kit, Parts List (OPTIONAL)
KT-00072**



**Table 23. Cleanliness Kit, Parts List (OPTIONAL)
KT-00072**

Item.	Description	Reference	Qty.
1	Gun Adapter	GU-02138-00	1
2	Manual Valve Unit	GU-02020-00	2
3	Input Block Screw	GU-04036	1
4	Male Adapter	RA-00108	1
5	2 Lts. Pressurized tank (Standard)	BI-00007-2	1
	10 Lts. Pressurized tank (Optional)	BI-00007-10	1
6	0.5 mts Air Hose	MA-00097	1
7	Plug	RA-00328	1
8	10 mts. Cleanliness Hose	MA-00063	1

N.B.:

Consult the Marketing department for delivery times for these elements.



CONTENTS

Warranty	2
Standard Final Assembly	3
Ball Valve Final Assembly (OPTIONAL)	5
Direct Input Final Assembly (OPTIONAL)	7
Air Cylinder and Grip Assembly	9
Magnetic Switch Assembly (OPTIONAL)	12
Assembly for Timer (OPTIONAL)	14
Assembly for Auto Version (OPTIONAL)	16
Round Fan Assembly	18
Flat Fan Assembly	21
Static Mixer Assembly (OPTIONAL)	24
Assembly Pour Adapter (OPTIONAL)	30
Recirculation Kit (OPTIONAL)	31
Cleanliness Kit (OPTIONAL)	33
Contents	35
List of Figures	35

LIST OF FIGURES

Figure 1. Standard Final Assembly, Master II Gun	3
Figure 2. Ball Valve Final Assembly (OPTIONAL)	5
Figure 3. Direct Input Final Assembly (OPTIONAL)	7
Figure 4. Air Cylinder and Grip Assembly	9
Figure 5. Magnetic Switch Assembly (OPTIONAL)	12
Figure 6. Assembly for Timer (OPTIONAL)	14
Figure 7. Assembly for Auto Version (OPTIONAL)	16
Figure 8. Round Fan Assembly	18
Figure 9. Flat Fan Assembly	21
Figure 10. Static Mixer Assembly (OPTIONAL)	24
Figure 11. Assembly Pour Adapter (OPTIONAL)	30
Figure 12. Recirculation Kit (OPTIONAL)	31
Figure 13. Cleanliness Kit, Parts List (OPTIONAL)	33