

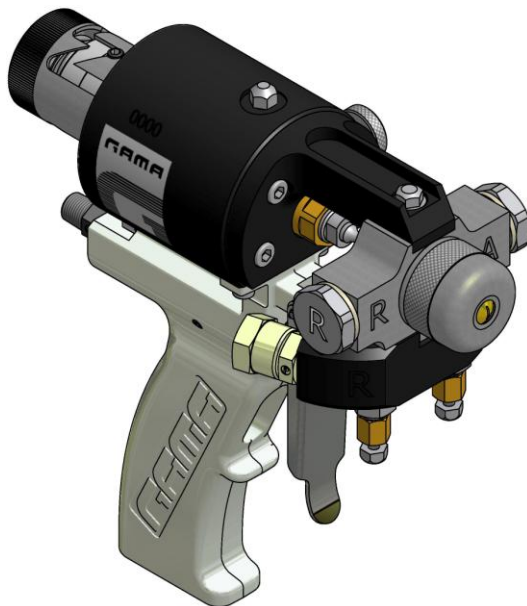


# Parts Manual

## Spray Gun

### G-DI Series

Issue 3.7 20/02/19  
Ref. NR-00028-ENG



***Before starting or doing maintenance on the G-DI gun, carefully read all of the technical and safety documentation included in the Service Manual. Special attention should be paid to the information in order to know and understand the handling and conditions of use of the gun. This information is aimed at USER SAFETY and the PREVENTION OF PROBLEMS.***



## WARRANTY

HI-TECH SPRAY EQUIPMENT, S. A. (hereinafter "HI-TECH") provides this **LIMITED WARRANTY** (hereinafter "Warranty") to the original purchaser (hereinafter "Customer") covering this equipment and the original HI-TECH manufactured accessories delivered with the equipment (hereinafter "Product") against defects in material or workmanship of the Product (hereinafter "Defect" or "Defective") for a period of two (2) years from the date of first purchase as shown on the original HI-TECH invoice (hereinafter "Warranty Period").

If during the Warranty Period under normal use, the Product is suspected by Customer to be Defective in material or workmanship, it is Customer's responsibility to contact HI-TECH and return the Product to HI-TECH as directed by HI-TECH, freight prepaid. If HI-TECH determines that the Product is Defective and that such Defect is covered by this Warranty, HI-TECH will credit Customer for the reasonable freight charges incurred by Customer in returning the Defective Product to HI-TECH, and HI-TECH (or its authorized agent) will, at HI-TECH's option, repair or replace the Product, subject to the following:

Original Invoice: The original invoice must be kept as proof of the date of first sale and the Product serial number. The Warranty does not cover any Product if the Original Invoice appears to have been modified or altered, or when the serial number on the Product appears to have been altered or defaced.

Product Maintenance: It is the Customer's responsibility to maintain the Product properly. See your maintenance schedule and owner's manual for details. The Warranty does not cover an improperly maintained Product.

Non-HI-TECH Components and Accessories: Non-HI-TECH manufactured components and accessories that are used in the operation of the Product are not covered by this Warranty. Such components and accessories shall be subject to the warranty offered to the Customer, if any, by the original manufacturer of such component or accessory.

Other Warranty Exclusions: The Warranty does not cover any Product that HI-TECH determines has been damaged or fails to operate properly due to misuse, negligence, abuse, carelessness, neglect, or accident. By way of example only, this includes:

- Normal wear and tear.
- Improper or unauthorized installation, repair, alteration, adjustment or modification of the Product.
- Use of heating devices, pumping equipment, dispensers, or other parts or accessories with the Product that have not been approved or manufactured by HI-TECH.
- Failure to follow the operating instructions and recommendations provided by HI-TECH.
- Cosmetic damage.
- Fire, flood, "acts of God," or other contingencies beyond the control of HI-TECH.

**THE WARRANTY DESCRIBED HEREIN IS THE EXCLUSIVE REMEDY FOR THE CUSTOMER AND IS IN LIEU OF ALL OTHER WARRANTIES, EXPRESS, IMPLIED, STATUTORY OR OTHERWISE, AND THE IMPLIED WARRANTIES OF MERCHANTABILITY AND FITNESS FOR A PARTICULAR PURPOSE AND ALL OTHER WARRANTIES ARE HEREBY DISCLAIMED. TO THE FULLEST EXTENT PERMITTED BY LAW, HI-TECH SHALL NOT BE RESPONSIBLE, WHETHER BASED IN CONTRACT, TORT (INCLUDING, WITHOUT LIMITATION, NEGLIGENCE), WARRANTY OR ANY OTHER LEGAL OR EQUITABLE GROUNDS, FOR ANY CONSEQUENTIAL, INDIRECT, INCIDENTAL, LOST PROFITS, SPECIAL, PUNITIVE OR EXEMPLARY DAMAGES, WHETHER TO PERSON OR PROPERTY, ARISING FROM OR RELATING TO THE PRODUCT, EVEN IF HI-TECH HAS BEEN ADVISED OF THE POSSIBILITY OF SUCH LOSSES OR DAMAGES.**

Non-Warranty Service by HI-TECH: If HI-TECH determines that the suspected Defect of the Product is not covered by this Warranty, disposition of the Product will be made pursuant to the terms and conditions of HI-TECH's written estimate on a time and materials basis.

Continuing Warranty for Products Repaired or Replaced under Warranty: Following the repair or replacement of a Product covered by this Warranty, such Product will continue to be subject to the original Warranty for the remainder of original Warranty Period or for three (3) months from the repair or replacement date, whichever is longer.

No Rights Implied: Nothing in the sale, lease or rental of any Product by HI-TECH shall be construed to grant any right, interest or license in or under any patent, trademark, copyright, trade secret or other proprietary right or material owned by anyone; nor does HI-TECH encourage the infringement of same.

Exclusive Warranty: This writing is the final, complete, and exclusive expression of the Warranty covering the Product. Any statements made by HI-TECH, its employees or agents that differ from the terms of this Warranty shall have no effect. It is expressly understood that Customer's acceptance of this Warranty, by performance or otherwise, is upon and subject solely to the terms and conditions hereof, and any additional or different terms and conditions proposed or expressed by Customer or anyone, whether in writing or otherwise, are null and void unless specifically agreed to in writing by an Officer of HI-TECH.



## BASIC CONFIGURATIONS

BASIC CONFIGURATIONS						
Production	Pattern	Ref.	Composition		Qty.	
LOW	"ROUND"	G-DI/LR	Base Gun	G-DI-00	1	
			Module N° 1 + 3	GU-04021-035R	1	
				GU-04021-045R	1	
			PCD 05RS + 06RS	GU-04023-05RS	1	
				GU-04023-06RS	1	
			Valving Rood 0.98	GU-04006-00	1	
	Rear Seal Retainer 0.98	GU-04019-01	1			
	Rear Seal 0.98	GU-04020-01	1			
	"FLAT"	G-DI/LF	Base Gun	G-DI-00		
			Module N° 2 + 4	GU-04021-035F	1	
				GU-04021-045F	1	
			PCD 035FS + 028 GFS	GU-04024-035FS	1	
GU-04024-028FS				1		
Valving Rood 0.98			GU-04006-00	1		
Rear Seal Retainer 0.98	GU-04019-01	1				
Rear Seal 0.98	GU-04020-01	1				
HIGH	"ROUND"	G-DI/HR	Base Gun	G-DI-00	1	
			Module N° 6 + 7 + 9 + 10	GU-04022-060R	1	
				GU-04022-080R	1	
				GU-04022-120R	1	
				GU-04022-170R	1	
			PCD 10RL + 14RL + 18RL + 23RL	GU-04023-10RL	1	
				GU-04023-14RL	1	
	GU-04023-18RL	1				
	GU-04023-23RL	1				
	Valving Rood 1.25	GU-04007-00	1			
	Rear Seal Retainer 1.25	GU-04019-02	1			
	Rear Seal 1.25	GU-04020-02	1			
	"FLAT"	G-DI/HF	Base Gun	G-DI-00	1	
			Module N° 5 + 8	GU-04022-045F	1	
GU-04022-080F				1		
PCD 063FL + 084FL + 086FL + 117FL			GU-04024-063FL	1		
			GU-04024-084FL	1		
			GU-04024-086FL	1		
GU-04024-117FL			1			
Valving Rood 1.25	GU-04007-00	1				
Rear Seal Retainer 1.25	GU-04019-02	1				
Rear Seal 1.25	GU-04020-02	1				



**SPECIFIC CONFIGURATIONS FOR EASY SPRAY-H**

SPECIFIC CONFIGURATIONS FOR EASY SPRAY - H					
Output Q(l/min.)	Pattern	Ref.	Composition		Qty.
3,78	"FLAT"	<b>GDI-863</b>	Base Gun	G-DI-00	1
			Module N°8	GU-04022-080F	2
			PCD 063FL	GU-04024-063FL	2
			Valving Rood 1.25	GU-04007-00	1
			Rear Seal Retainer 1.25	GU-04019-02	1
			Rear Seal 1.25	GU-04020-02	1
3,60	"ROUND"	<b>GDI-614</b>	Base Gun	G-DI-00	1
			Module N°6	GU-04022-060R	2
			PCD 014RL	GU-04023-014RL	2
			Valving Rood 1.25	GU-04007-00	1
			Rear Seal Retainer 1.25	GU-04019-02	1
			Rear Seal 1.25	GU-04020-02	1
1,15	"FLAT"	<b>GDI-428</b>	Base Gun	G-DI-00	1
			Module N°4	GU-04021-045F	2
			PCD 028FS	GU-04024-028FS	2
			Valving Rood 0.98	GU-04006-00	1
			Rear Seal Retainer 0.98	GU-04019-01	1
			Rear Seal 0.98	GU-04020-01	1

**Output Q(l/min) @ 140 bar**

**Note: Outputs are approximated, values can change depending on the densities and temperatures of the chemicals.**



## GRIP AND AIR CYLINDER ASSEMBLY

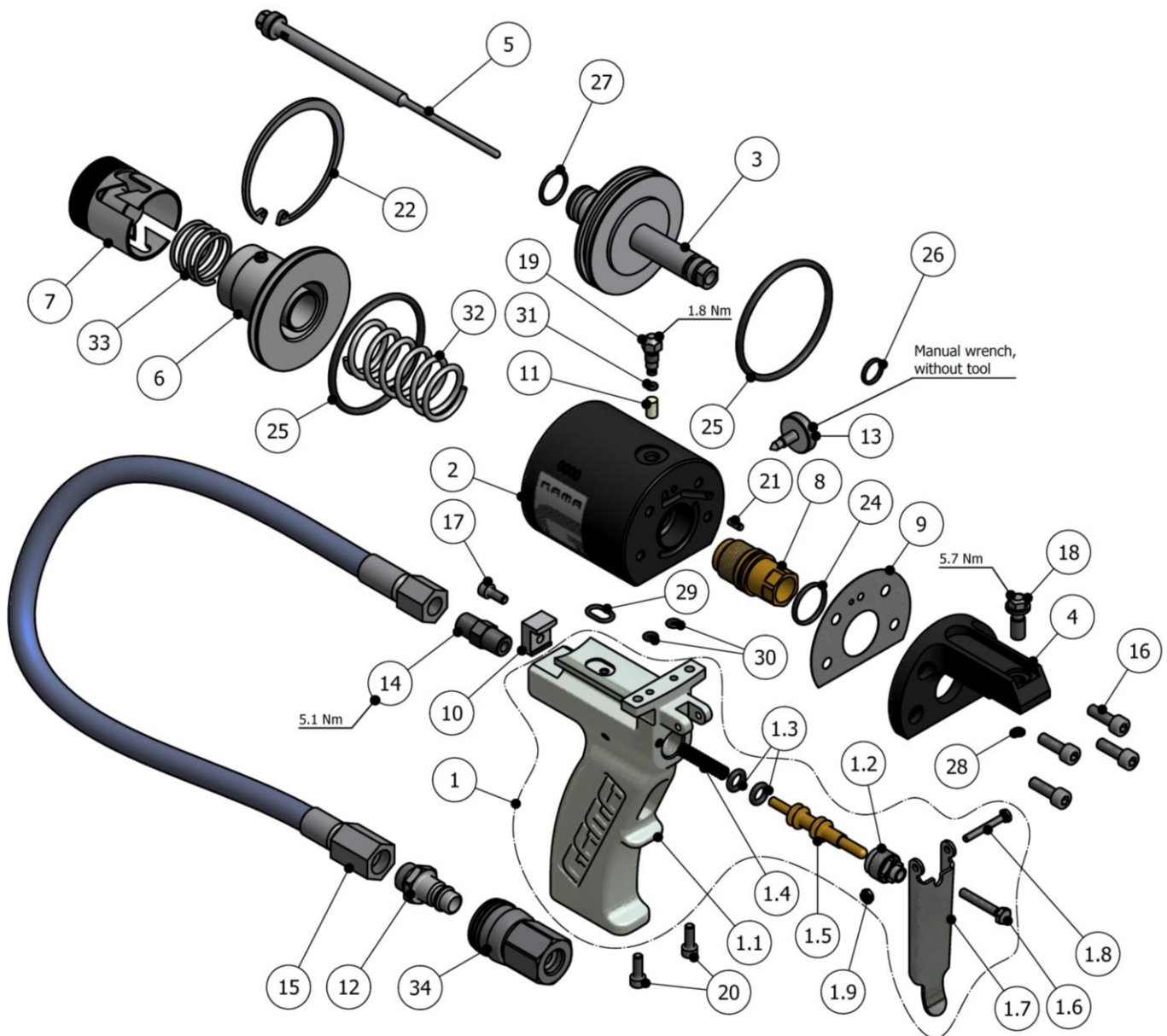


Figure 1. Grip and Air Cylinder Assembly, G-DI Gun



**Table 1. Grip and Air Cylinder Parts List,  
G-DI Gun**

Pos.	Description	Reference	Qty.
1	Sleeve with Trigger Unit	GU-04001-02	1
1.1	Machined Sleeve with Caps (*)	GU-04048-01	1
1.1A	Machined and Anodized Sleeve without Caps (°)	GU-04048-00	1
1.1B	Caps (°)	TN-00251	6
1.2	Trigger Valve Nut (*)	GU-02131	1
1.3	O-ring (*)	OR-00079	2
1.4	Trigger spring (*)	SP-00022	1
1.5	Trigger shaft (*)	GU-02130	1
1.6	Trigger Stop Bolt (*)	TN-00235	1
1.7	Trigger (*)	GU-02132	1
1.8	Trigger Screw (*)	TN-00459	1
1.9	Retention Nut (*)	TN-00460	1
2	Mechanical Gun Standard Sleeve	GU-04002	1
3	Plunger Unit	GU-04008-00	1
4	Mix Block Support	GU-04016	1
5	Valving Rod 098 Size	GU-04006-00	1
	Valving Rod 125 Size	GU-04007-00	1
6	Cylinder block unit	GU-04003-04	1
7	Blocking device	GU-04003-02	1
8	Valving Rod Guide	GU-04009	1
9	Paper Seal	GU-04013	1
10	Sleeve Staple	GU-02021	1
11	Friction Bushing	GU-04012	1
12	Air Connector	RA-00110	1
13	Air Regulator	GU-04015	1
14	Hex. Nipple	RA-00112	1
15	Hose Air Supply	MA-00027	1
16	Allen Bolt	TN-00016	4
17	Allen Bolt	TN-00002	1
18	Mix Block Bolt	GU-04037	1
19	Bushing Pressure Bolt	GU-04011	1



Pos.	Description	Reference	Qty.
20	Allen Bolt	TN-00049	2
21	Pin	TN-00224	1
22	Retention Ring	TN-00223	1
24	O-ring	OR-00070	1
25	O-ring	OR-00072	2
26	O-ring	OR-00003	1
27	O-ring	OR-00025	1
28	O-ring	OR-00147	1
29	O-ring	OR-00015	1
30	O-ring	OR-00001	2
31	O-ring	OR-00047	1
32	Plunger Spring	SP-00015A	1
33	Blocking Spring	SP-00007	1
34	Quick Connect Air Supply	RA-00109	1

**N.B.:**

*(\*) Parts included in POS. 1*

*(°) Parts included in POS. 1.1*

## HEAD ASSEMBLY

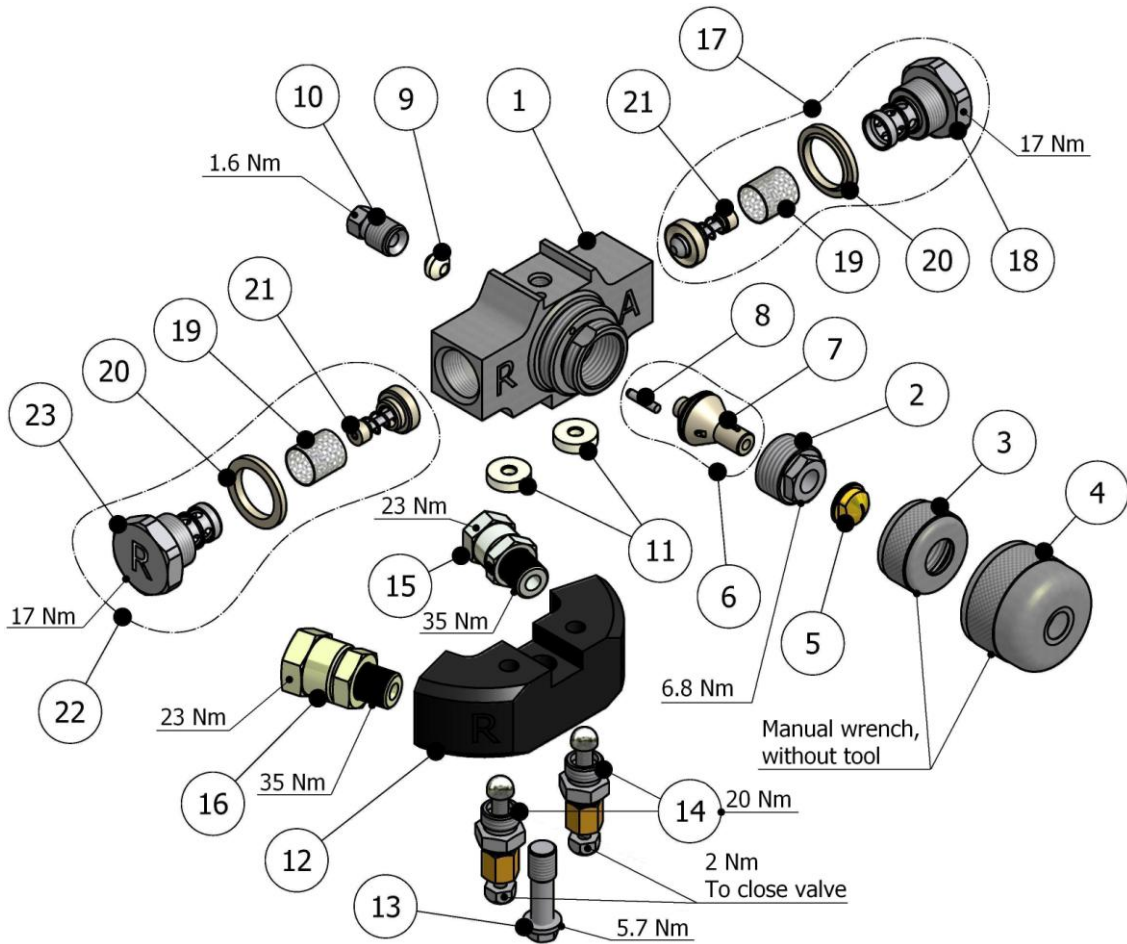


Figure 2. Head Assembly, G-DI Gun



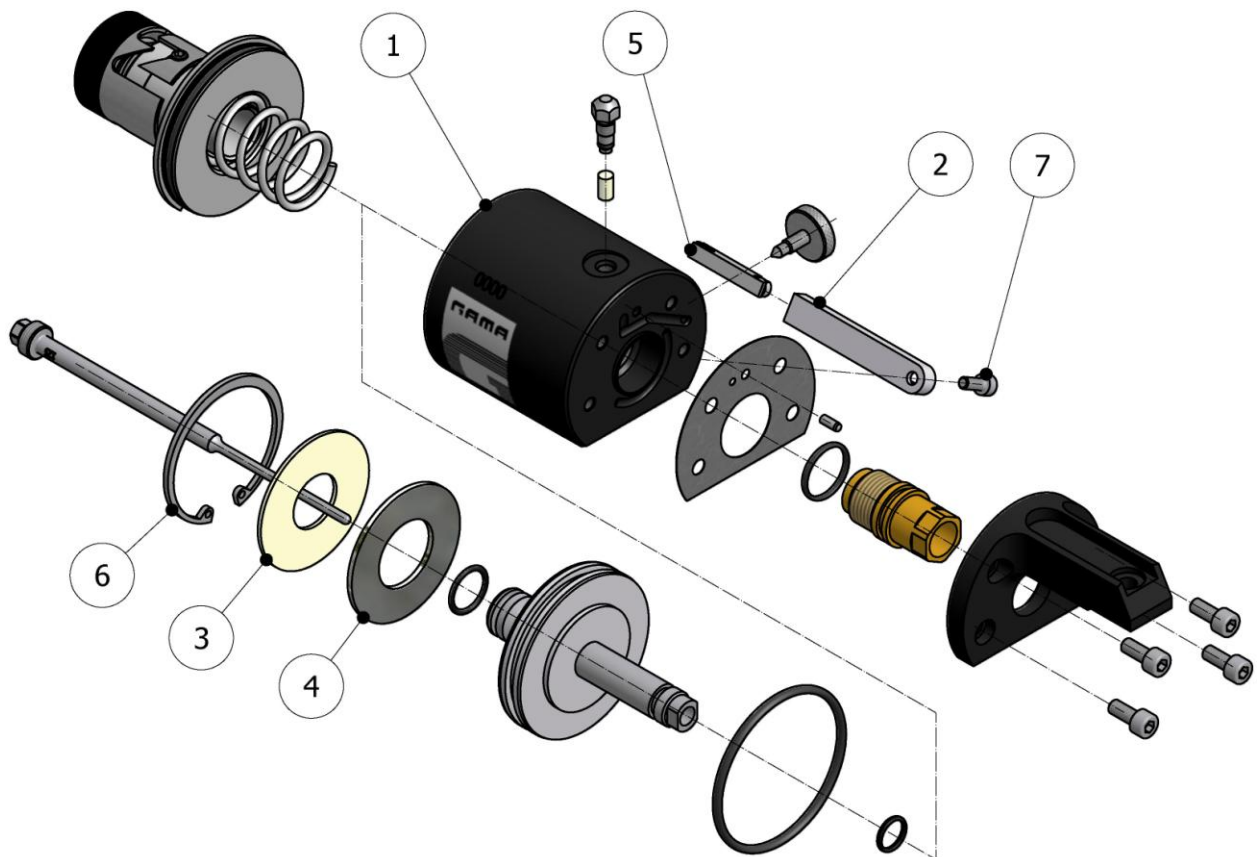


**Table 2. Head Assembly Parts List,  
G-DI Gun**

Pos.	Description	Reference	Qty.
1	Mixhead	GU-04017	1
2	Valving Rod Seal Nut	GU-04018	1
3	TIP Nut	GU-04025	1
4	Diffuser	GU-04026	1
5	PCD	See Table 6, Table 7, Table 8 & Table 10	-
6	Module with Pin	See Table 6, Table 7, Table 8 & Table 9	-
7	Module (Included in Pos. 6)		-
8	Pin (Included in Pos. 6)	TN-00227	-
9	Rear Seal 098 Size	GU-04020-01	1
	Rear Seal 125 Size	GU-04020-02	1
10	Rear Seal Retainer 098	GU-04019-01	1
	Rear Seal Retainer 125	GU-04019-02	1
11	Input Block Seal	GU-03012	2
12	Input Block Unit	GU-02115-00	1
13	Input Block Screw	GU-04036	1
14	Manual Valve Unit	GU-02020-00	2
15	Connection Male – Free Nut (ISO)	RA-00005	1
16	Connection Male – Free Nut (POL)	RA-00006	1
17	Filter and Non-Return Cartridge Unit (ISO)	GU-04030-01	1
18	Side Filter Cartridge Housing (ISO) (*)	GU-04028-01	1
19	Filter 40 Mesh (*),(#) ( <b>standard</b> )	GU-02063-40	2
	Filter 60 Mesh ( <b>Optional</b> )	GU-02063-60	2
	Filter 80 Mesh ( <b>Optional</b> )	GU-02063-80	2
20	Side Filter Cartridge Seal (*),(#)	GU-04030	2
21	Non-Return Valve Unit (*),(#)	GU-03010-00	2
22	Filter and Non-Return Cartridge Unit (POL)	GU-04030-02	1
23	Side Filter Cartridge Housing (POL) (#)	GU-04028-02	1

**N.B.:** (\*) Parts included in POS.17 (#) Parts included in POS.22

### MAGNETIC PLUNGER ASSEMBLY (OPTIONAL)



*Figure 3. Magnetic Plunger Assembly (Optional)  
G-DI Gun*



**Table 3. Magnetic Plunger Assembly Parts List (Optional),  
G-DI Gun**

Pos.	Description	Reference	Qty.
1	Sleeve for Standard Magnetic Micro	GU-04002-M	1
	Sleeve for Auto Version Magnetic Micro	GU-04002-A-MIC	1
	Sleeve for Timer Version Magnetic Micro	GU-04002-T-MIC	1
2	Detector Support	GU-02051	1
3	Plunger Magnet Cap	GU-04033	1
4	Plunger Magnet	GU-04040	1
5	Magnetic Detector	EL-00136-04 (*)	1
6	Retention Ring	TN-00222	1
7	Allen Bolt	TN-00002	1

**N.B.:**

**Fit the right sleeve for the version of the gun; Standard, Automatic or with Timer.**

**(\*) This Part includes:**

- **1 Magnetic Switch with cable 2 m.**
- **1 Square male connector of 3 poles.**

## TIMER ASSEMBLY (OPTIONAL)

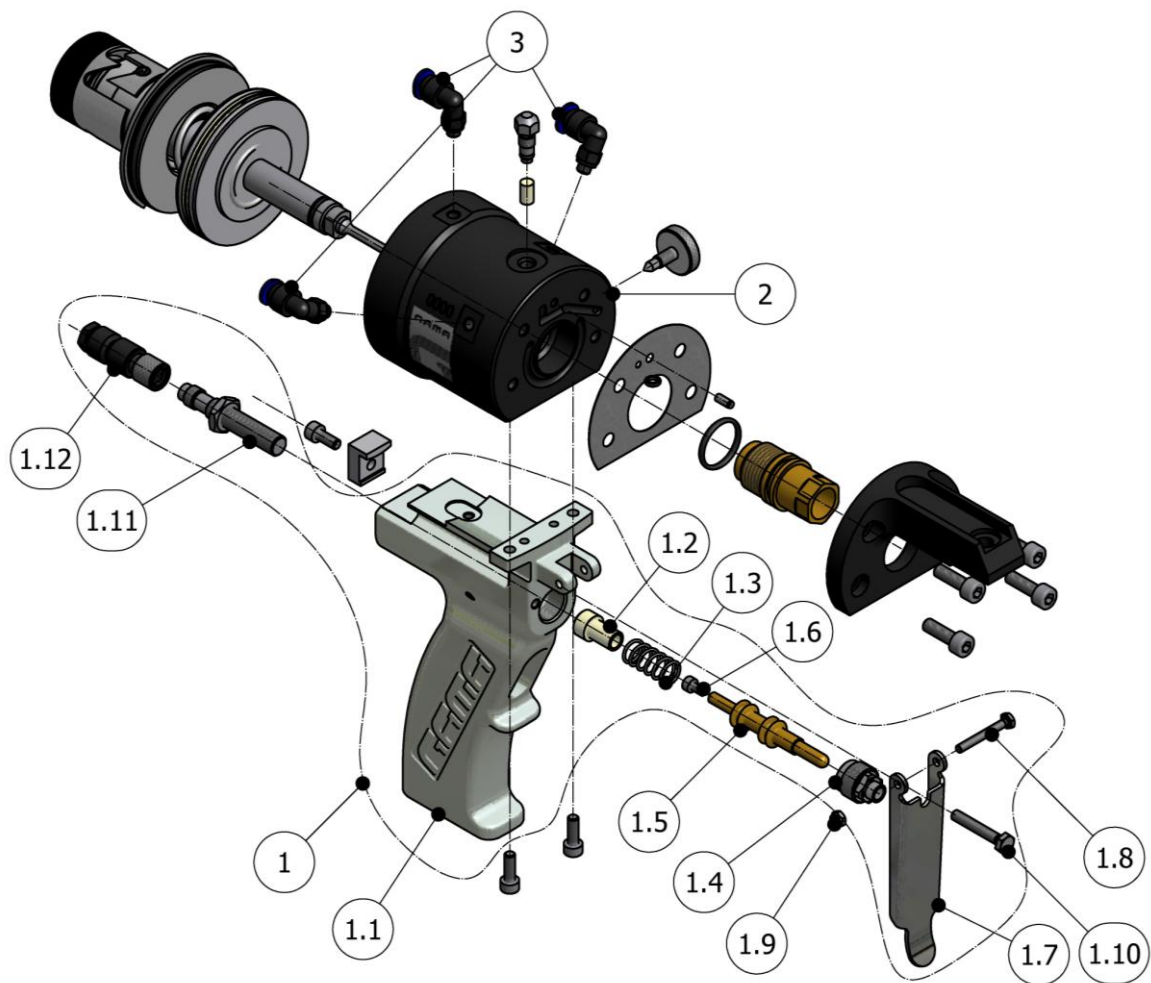


Figure 4. Timer Assembly (Optional), G-DI Gun



**Table 4. Timer Assembly Parts List (Optional),  
G-DI Gun**

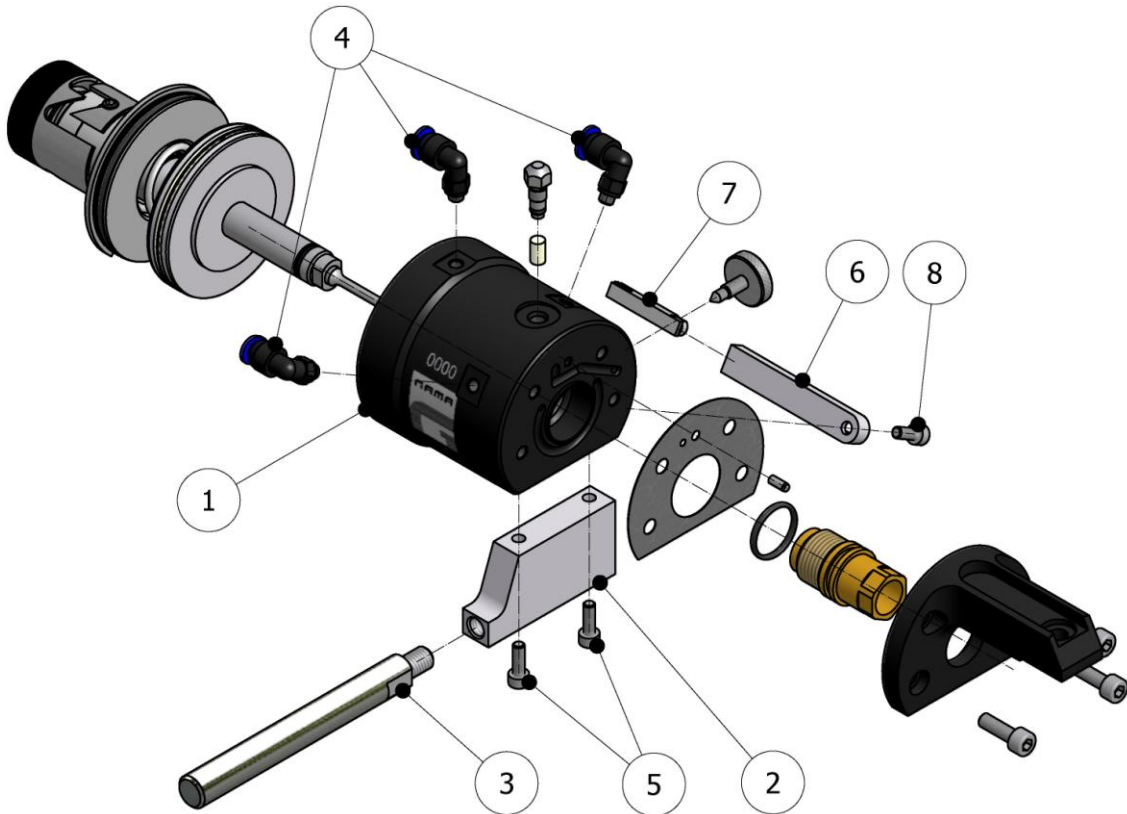
Pos.	Description	Reference	Qty.
1	Sleeve Unit for Timer	GU-04001-02A	1
1.1	Machined and Anodized Sleeve for Timer (*)	GU-04048-A0	1
1.2	Spring Seat for Timer (*)	GU-02135	1
1.3	Trigger Spring for Timer (*)	SP-00023	1
1.4	Trigger Valve Nut (*)	GU-02131	1
1.5	Trigger Shaft for Timer (*)	GU-02130-A	1
1.6	Allen bolt (*)	TN-00020	1
1.7	Trigger (*)	GU-02132	1
1.8	Trigger Screw (*)	TN-00459	1
1.9	Retention Nut (*)	TN-00460	1
1.10	Trigger Stop Bolt (*)	TN-00235	1
1.11	Inductive Detector (*)	EL-00136-02	1
1.12	Cable Switch with Connectors (*)	EL-00136-07	1
2 (#)	Sleeve for Standard Timer	GU-04002-T	1
	Sleeve for Timer with Magnetic Micro	GU-04002-T-MIC	1
3	Knead Pneumatic connector	RA-00088	3

**N.B.:**

**(\*) Parts included in POS.1**

**(#) Fit the right sleeve for the version of the gun; Standard, or with Magnetic Micro.**

**AUTO ASSEMBLY (OPTIONAL)**



*Figure 5. Auto Assembly (Optional), G-DI Gun*

**Table 5. Auto Assembly Parts List (Optional), G-DI Gun**

Pos.	Description	Reference	Qty.
1	Auto Sleeve with Magnetic Switch	GU-04002-A-MIC	1
2	Auto Gun Support	GU-02136	1
3	Connection Rod	GU-02056	1
4	Kneed Pneumatic connector	RA-00088	3
5	Allen Bolt	TN-00001	2
6	Detector Support	GU-02051	1
7	Magnetic Switch with cable 2m+Square connect.3 poles	EL-00136-04	1
8	Allen Bolt	TN-00002	1



## STANDARD PROJECTION SIZES

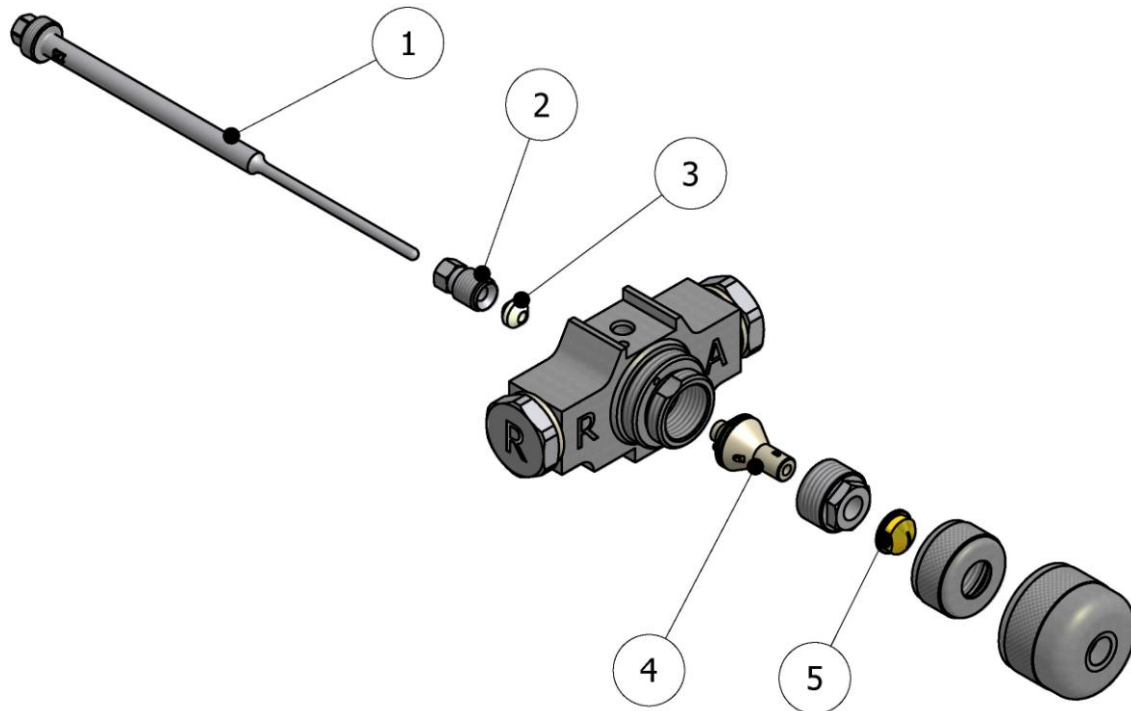


Figure 6. Standard Projection Sizes, G-DI Gun

Table 6. "Round" Projection Size Parts List, G-DI Gun

Valving Rod Rod Pos. 1	Rear Seal Retainer Pos. 2	Rear Seal Pos. 3	Module (N°) Pos. 4	PCD Pos. 5	Size
GU-04006-00	GU-04019-01	GU-04020-01	GU-04021-035R (1) GU-04021-045R (3)	GU-04023-05RS GU-04023-06RS	098
GU-04007-00	GU-04019-02	GU-04020-02	GU-04022-060R (6) GU-04022-080R (7) GU-04022-120R (9) GU-04022-170R (10)	GU-04023-10RL GU-04023-14RL GU-04023-18RL GU-04023-23RL	125
GU-04056-00	GU-04019-03	GU-04020-03	GU-04057-170R (11)	-	158

**N.B.:** The Modules and PCD may be combined provided they are from the same Size family (see combinations in Table 8). The size 158 is valid only when mounting model for injection floor (see Annex II, manual NR-00079-ENG).



**Table 7. "Flat" Projection Size Parts List,  
G-DI Gun**

Valving Rod Pos. 1	Rear Seal Retainer Pos. 2	Rear Seal Pos. 3	Module (Nº) Pos. 4	PCD Pos. 5	Size
GU-04006-00	GU-04019-01	GU-04020-01	GU-04021-035F (2) GU-04021-045F (4)	GU-04024-028FS GU-04024-035FS	098
GU-04007-00	GU-04019-02	GU-04020-02	GU-04022-080F (8) GU-04022-045F (5)	GU-04024-063FL GU-04024-084FL GU-04024-086FL GU-04024-117FL	125

*N.B.: The Modules and PCD may be combined provided they are from the same Size family (see combinations in Table 8).*

**Table 8. Configurations According to Application**

<b>"ROUND SPRAY PATTERN" (# 098 SIZE)</b>						
Production (Lts/min.)	Pressure (Kgf/cm <sup>2</sup> )	Module (Nº)	ISO Port/ POL Port (mm)	PCD	Fan Pattern (cm)	Dimens. Window (mm)
0,6 – 1,1	100-225	GU-04021-035R (1)	1x-0,35 ISO 1x-0,35 POL	GU-04023- 05RS	10-15	0,5
1,1 – 1,6	100-225	GU-04021-045R (3)	1x-0,45 ISO 1x-0,45 POL	GU-04023- 06RS	15-18	0,6
<b>"FLAT SPRAY PATTERN" (# 098 SIZE)</b>						
Production (Lts/min.)	Pressure (Kgf/cm <sup>2</sup> )	Module (Nº)	ISO Port/ POL Port (mm)	PCD	Fan Pattern (cm)	Dimens. Window (mm)
0,6 – 1,1	100-225	GU-04021-035F (2)	1x-0,35 ISO 1x-0,35 POL	GU-04024- 035FS	10-15	1,26x0,28
1,5 – 2,2	100-225	GU-04021-045F (4)	1x-0,55 ISO 1x-0,55 POL			
0,5 – 1	100-225	GU-04021-035F (2)	1x-0,35 ISO 1x-0,35 POL	GU-04024- 028FS	10-15	1,16x0,25
1 – 1,8	100-225	GU-04021-045F (4)	1x-0,55 ISO 1x-0,55 POL			



"ROUND SPRAY PATTERN" (# 125 SIZE)						
Production (Lts/min.)	Pressure (Kgf/cm <sup>2</sup> )	Module (Nº)	ISO Port/ POL Port (mm)	PCD	Fan Pattern (cm)	Diam. Window (mm)
1,8 – 3,6	90-230	GU-04022-060R (6)	1x-0,70 ISO 1x-0,70 POL	GU-04023-10RL	15-25	1,0
1,8 – 3,9	70-250			GU-04023-14RL	15-40	1,4
3,0 – 4,8	110-240	GU-04022-080R (7)	1x-0,80 ISO 1x-0,80 POL	GU-04023-10RL	10-20	1,0
4,2 – 6,6	110-240			GU-04023-14RL	10-25	1,4
4,2 – 7,2	70-250			GU-04023-18RL	50-60	1,8
8 – 9	150			GU-04023-23RL	70-80	2,3
6	100	GU-04022-120R (9)	1x-1,20 ISO 1x-1,20 POL	GU-04023-10RL	10	1,0
7	120			GU-04023-14RL	25	1,4
7 – 9	70-90			GU-04023-18RL	50	1,8
12	150			GU-04023-23RL	70	2,3
7,5	70	GU-04022-170R (10)	1x-1,70 ISO 1x-1,70 POL	GU-04023-10RL	15	1
9	130			GU-04023-14RL	50	1,4
14	150			GU-04023-18RL	60	1,8
18	150			GU-04023-23RL	80	2,3
"FLAT SPRAY PATTERN" (# 125 SIZE)						
Production (Lts/min)	Pressure (Kgf/cm <sup>2</sup> )	Module (Nº)	ISO Port/ POL Port (mm)	PCD	Fan Pattern (cm)	Dimens. Window (mm)
1 – 2,7	110-250	GU-04022-045F (5)	1x-0,45 ISO 1x-0,45 POL	GU-04024-063FL	30-50	1,63x0,39
1 – 3,5	110-230			GU-04024-084FL	30-50	1,63x0,52
1,8 – 3	110-230	GU-04022-080F (8)	1x-0,80 ISO 1x-0,80 POL	GU-04024-063FL	40-60	1,63x0,39
3 – 5,5	90-230			GU-04024-084FL	40-60	1,63x0,52
				GU-04024-086FL	40-60	2,02x0,45
4 – 7	110-240			GU-04024-117FL	40-60	1,93x0,61

**NB: Outputs are approximated, values can change depending on the densities and temperatures of the chemicals.**

**Test fluid: Mesamoll.**

**Dynamic stickiness: 100-130 mPa.s**

**Thickness: from 1,04 to 1,07 Kg/L**



**Table 9. List of Cleaning Drills for Modules**

Module Nº.	Module ref.	Diam. Central Drill	Diam. Drill and Ref.	Diam. Side Drills	Diam. Drill and Ref.
1	GU-04021-035R	2.376 mm	2,35 mm HT-00070	2x 0.35 mm	0.3 mm HT-00020
2	GU-04021-035F				0,4 mm HT-00021
3	GU-04021-045R			2x 0.45 mm	0,5 mm HT-00015
4	GU-04021-045F			2x 0.55 mm	
5	GU-04022-045F	3.175 mm	3.2 mm HT-00071	2x 0.45 mm	0,4 mm HT-00021
6	GU-04022-060R			2x 0.70 mm	0.65 mm HT-00079
7	GU-04022-080R			2x 0.80 mm	0.75 mm HT-00023
8	GU-04022-080F				
9	GU-04022-120R			2x 1.20 mm	1.15 mm HT-00024
10	GU-04022-170R			2x 1.70 mm	1.65 mm HT-00025

**N.B.:** Each Module is supplied with the corresponding cleaning drills.

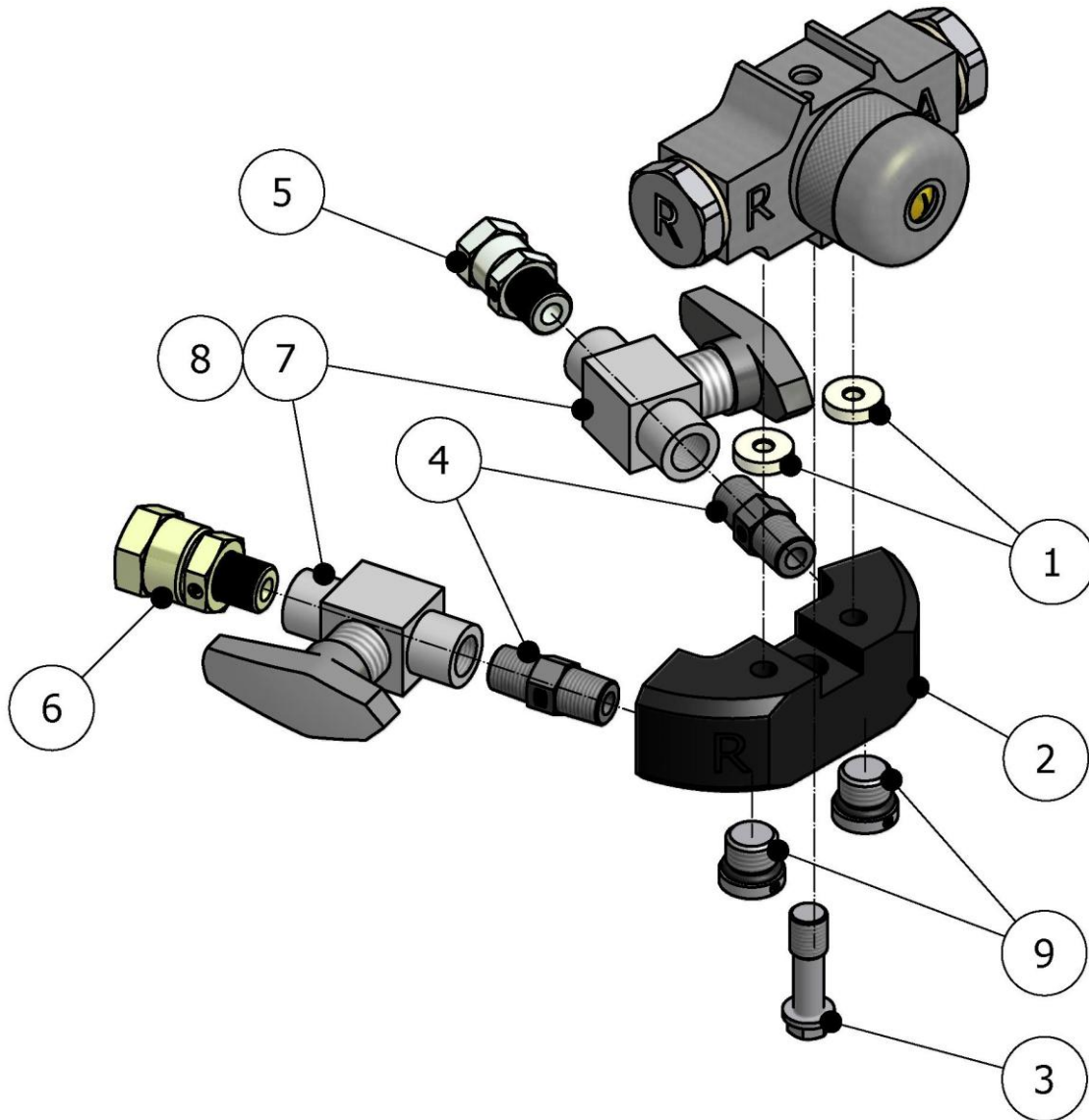
**Table 10. List of Cleaning Drills for PCD "ROUND"**

Ref. PCD	Diam. Window	Diam. Drill	Drill Ref.
GU-04023-05RS	0.5 mm	0.45 mm	HT-00021
GU-04023-06RS	0.6 mm	0.55 mm	HT-00022
GU-04023-10RL	1 mm	0.95 mm	HT-00027
GU-04023-14RL	1.4 mm	1.35 mm	HT-00028
GU-04023-18RL	1.8 mm	1.75 mm	HT-00023
GU-04023-23RL	2.3 mm	2.25 mm	HT-00030

**N.B.:** Each PCD is supplied with the corresponding cleaning drill.



**PRODUCT INLET ASSEMBLY (OPTIONAL)**



*Figure 7. Product Inlet Assembly (Optional)*



**Table 11. Product Inlet Assembly Parts List (Optional),  
G-DI Gun**

Pos.	Description	Reference	Qty.
1	Input Block Seal (*)	GU-03012	2
2	Input Block Unit (*)	GU-02115-00	1
3	Input Block Screw (*)	GU-04036	1
4	Hex. Nipple	RA-00112	2
5	Connection Male – Free Nut (ISO) (*)	RA-00005	1
6	Connection Male – Free Nut (POL) (*)	RA-00006	1
7	Standard Ball Valve	RA-00070	2
8	High Pressure Ball Valve (#)	RA-00070H	2
9	Stopper	RA-00242	2

**(\*) Parts included in the standard gun.**

**(#) Express supply to order. Consult delivery time with the Marketing department.**



## SPECIAL PROJECTION ASSEMBLIES (OPTIONAL)

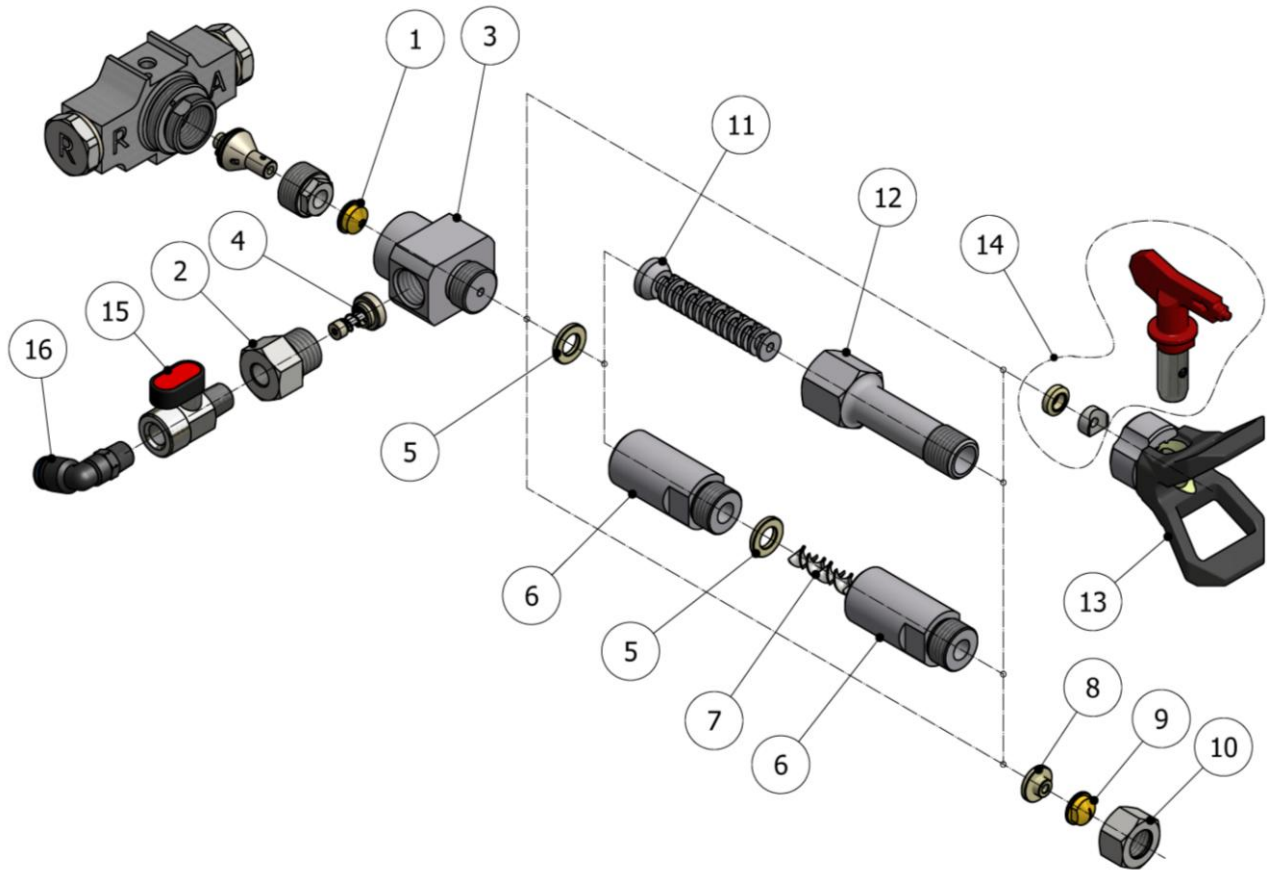


Figure 8. Special Projection Assemblies (Optional)



**Table 12. Special Projections Parts List (Optional)**

Pos.	Description	Reference	Qty.
1	PCD for Valving Rod 125 "Round"	GU-04023-23RL	1
2	Clean Inlet Port	GU-04055B	1
3	Cleaning Body	GU-04044A	1
4	Non-Return Unit	GU-03010-00	1
5	Seal	GU-05019	<b>(*) (#)</b>
6	Modular Mixer Sleeve	GU-05018-50	<b>(*)</b>
7	Mixer Drill	See Table 13	<b>(*)</b>
8	PCD Base Seal	GU-04039	1
9	PCD "Flat"	See Table 14	1
10	PCD Nut	GU-04047	1
11	Labyrinth Type Mixer	GU-04046	<b>(#)</b>
12	Labyrinth Mixer Sleeve	GU-04045	<b>(#)</b>
13	Nozzle Guard	GU-05017	1
14	Reversible TIP Unit (includes seal and seat)	See Table 16	1
15	Ball Valve	RA-00240	1
16	Elbow 90°	RA-00093	1

**(\*) See Table 13**

**(#) See Table 15**

**N.B.: To order any part of these assemblies, consult the delivery time with the Marketing department.**

**Table 13. Modular Static Mixer Parts List.**

Long. Mixer	Pos. 5 GU-05019	Pos. 6 GU-05018-50	Pos 7
50 mm	1x	1x	1x GU-02047-050
100 mm	2x	2x	1x GU-02047-100
150 mm	3x	3x	1x GU-02047-150
200 mm	4x	4x	1x GU-02047-200
300 mm	6x	6x	1x GU-02047-300

**Table 14. Standard PCD Size List.**

Standard PCD	Hole Size mm	Fan Width cm (*)
GU-04024-028FS	0,25x1,16	---
GU-04024-035FS	0.28x1.26	---
GU-04024-063FL	0.39x1.63	---
GU-04024-084FL	0.52x1.63	---
GU-04024-086FL	0.45x2.08	---
GU-04024-117FL	0.61x1.93	---

(\*) Values obtained with water at 130 bar and 30 cm from the surface to be projected.

Delivery times for these elements, consult the Marketing department.

**Table 15. Labyrinth Static Mixer Component List.**

Long. Mixer	Pos. 5 GU-05019	Pos. 11 GU-04046	Pos 12 GU-04045
50 mm	1x	1x	1x
100 mm	2x	2x	2x
150 mm	3x	3x	3x
200 mm	4x	4x	4x
250 mm	5x	5x	5x



**Table 16. List of Reversible TIP Sizes.**

TIP	Hole Size mm	Fan Width cm (*)
GU-05016-2310	0. 58	10
GU-05016-2320	0. 58	20
GU-05016-2340	0. 58	40
GU-05016-2720	0. 69	20
GU-05016-2730	0. 69	30
GU-05016-3520	0. 90	20
GU-05016-3530	0. 90	30
GU-05016-3540	0. 90	40

*(\*) Values obtained with water at 130 bar and 30 cm from the surface to be projected.*

*Delivery times for these elements, consult the Marketing department.*



## ASSEMBLY POUR ADAPTER (OPTIONAL)

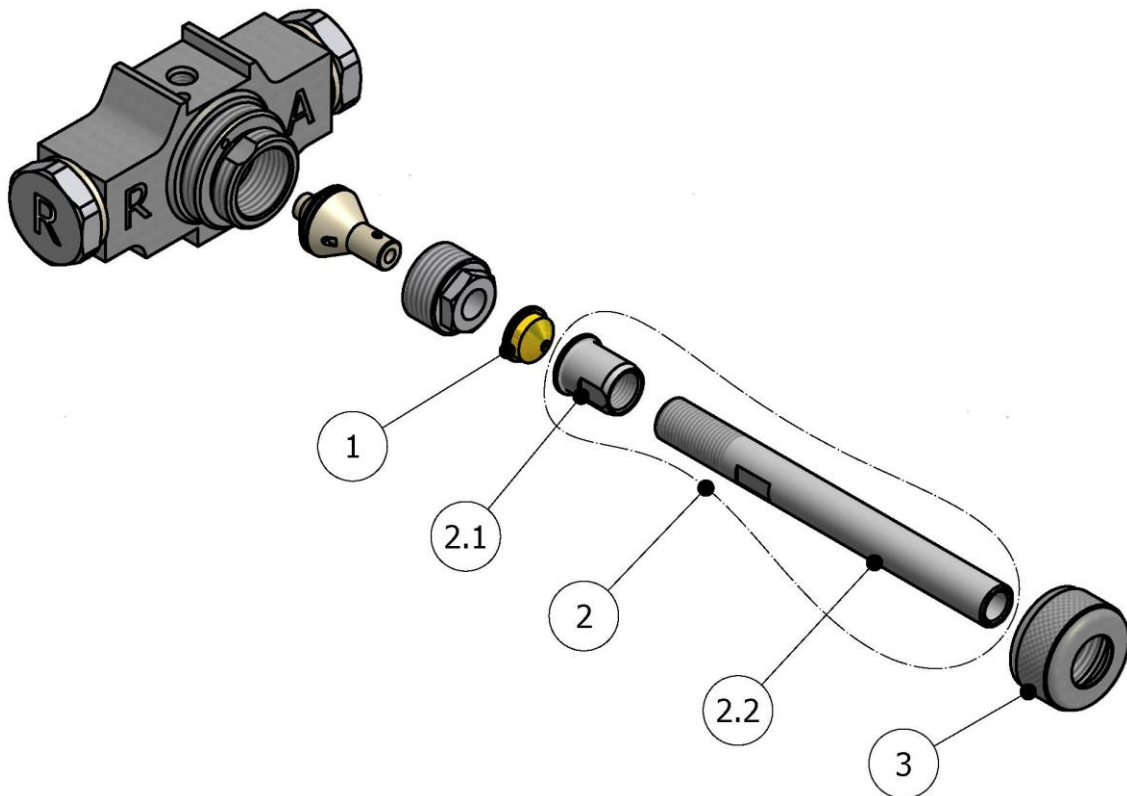


Figure 9. Assembly Pour Adapter (Optional)

Table 17. Assembly Pour Adapter, Parts List (OPTIONAL)

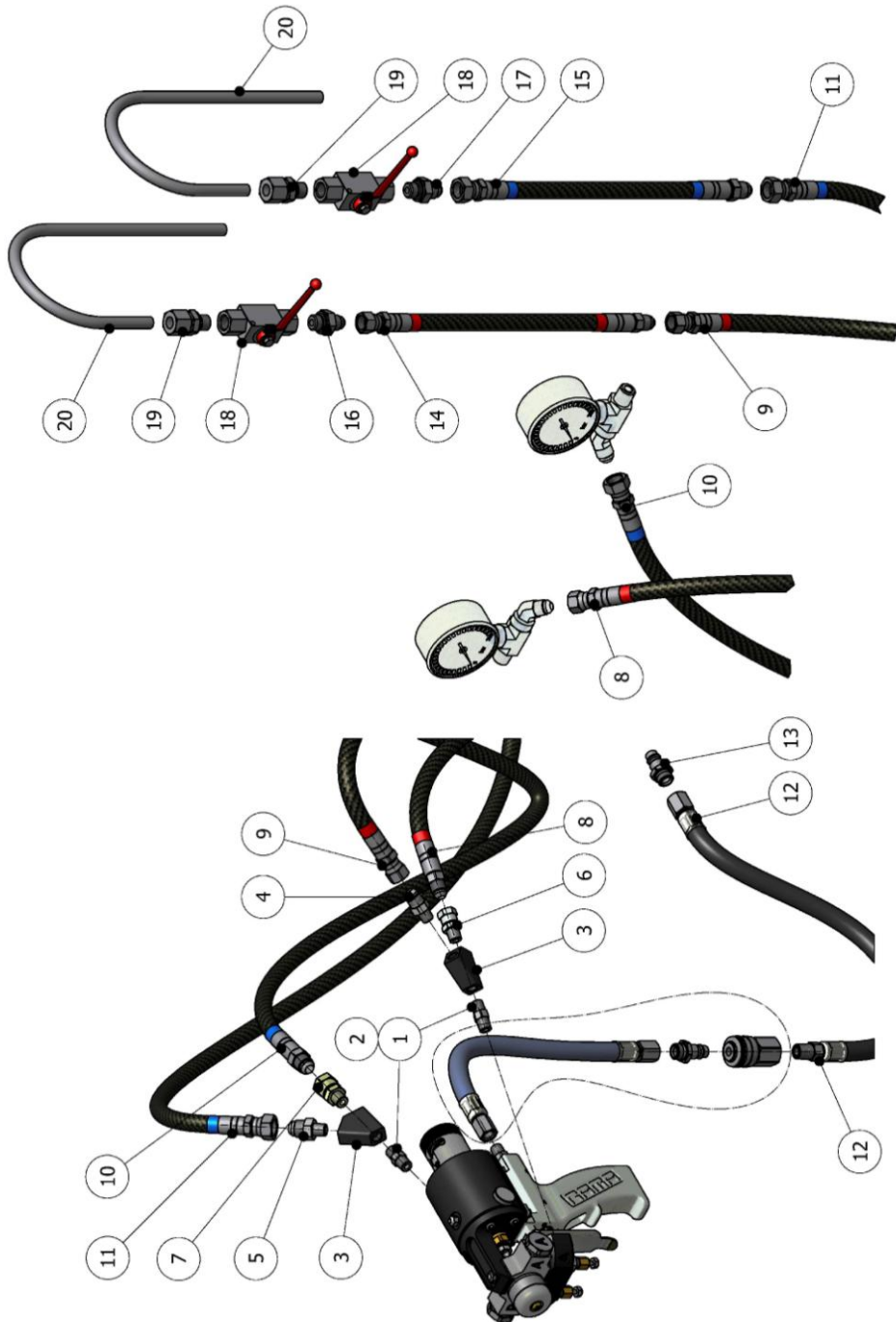
Pos.	Description	Reference	Qty.
1	PCD for rod 125 "Round"	GU-04023-23RL	1
2	Pour Nozzle	GU-04052	1
2.1	Nozzle Head	GU-04050	1
2.2	Nozzle Pipe	GU-04051	1
3	Nozzle Nut	GU-04053	1

**N. B.:**

(\*) Parts included in Pos.2

Delivery times for these elements, consult the Marketing department.

## RECIRCULATION KIT (OPTIONAL)



**Figure 10. Recirculation Kit (Optional)**  
**KT-00059-9**

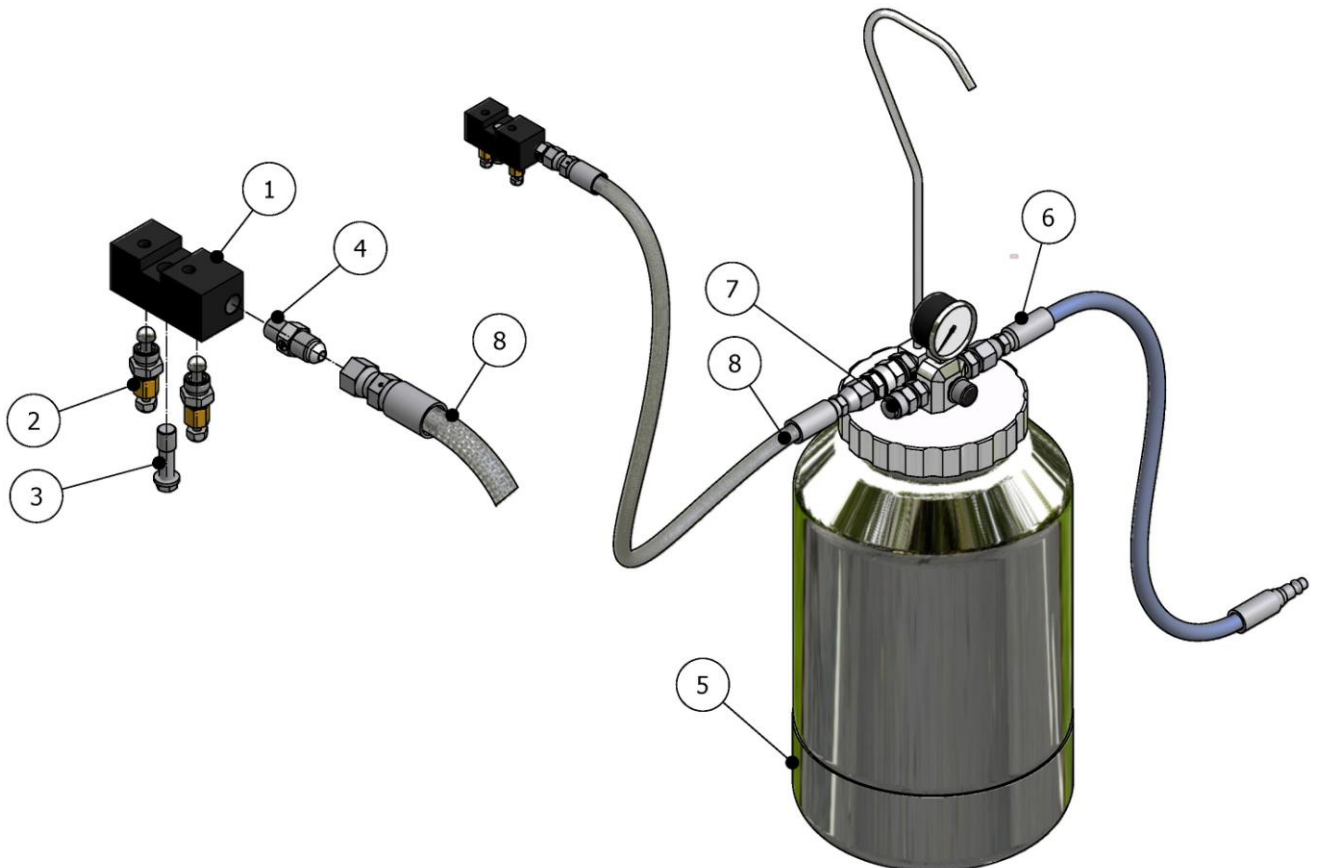


**Table 18. Recirculation Kit Parts List (OPTIONAL)**  
**KT-00059-9**

Item.	Description	Part Number	Qty.
1	Nipple	RA-00112	2
2	Elbow	RA-00205	2
3	Manifold	RA-00464	2
4	Nipple	RA-00238	1
5	Nipple	RA-00237	1
6	Swivel (*)	RA-00005	1
7	Swivel (*)	RA-00006	1
8	Flex 10000 mm Supply ISO	MA-00060-3	1
9	Flex 10000 mm Recirculation ISO	MA-00060-2	1
10	Flex 10000 mm Supply POL	MA-00059-3	1
11	Flex 10000 mm Recirculation POL	MA-00059-2	1
12	Air Hose	MA-00194	1
13	Air Coupler	RA-00110	1
14	Flex 1000 mm Recirculation Extended ISO	MA-00177	1
15	Flex 1000 mm Recirculation Extended POL	MA-00178	1
16	Nipple	RA-00144	1
17	Nipple	RA-00145	1
18	Ball Valve	RA-00217	2
19	Swivel	RA-00218	2
20	Tube	MQ-06016	2
	Hose Cover 10000 mm	MA-00123	
	Insulating Cover 10000 mm	MA-00099	
	Insulating Cover 8000 mm	MA-00099-1	

**(\*) Parts included in the standard assembly of gun.**

## CLEANLINESS KIT (OPCIONAL)



**Figure 11. Cleanliness Kit (Optional)**  
**# KT-00072**

**N.B.:** This Kit includes 2 seals Ref. GU-03012 (not shown in the picture).



**Table 19. Cleanliness Kit, Parts List (OPTIONAL)  
# KT-00072**

Pos.	Description	Reference	Qty.
1	Gun Adapter	GU-02138-00	1
2	Manual Valve Unit	GU-02020-00	2
3	Input Block Screw	GU-04036	1
4	Male Adapter	RA-00108	1
5	2Lts. Pressurized tank (Standard)	BI-00007-2	1
	10 Lts. Pressurized tank (Optional)	BI-00007-10	1
6	0.5 mts. Air Hose	MA-00097	1
7	Plug	RA-00328	1
8	10 mts. Cleanliness Hose	MA-00063	1

**N.B.:**

***This Kit includes 2 seals Ref. GU-03012 (not shown in the picture)***

***Consult the Marketing department for delivery times for these elements.***



## CONTENT

Warranty	2
Basic Configurations	3
Specific Configurations for Easy Spray-H	4
Grip and Air Cylinder Assembly	5
Head Assembly	8
Magnetic Plunger Assembly (Optional)	10
Timer Assembly (Optional)	12
Auto Assembly (Optional)	14
Standard Projection Sizes	15
Product Inlet Assembly (Optional)	19
Special Projection Assemblies (Optional)	21
Assembly Pour Adapter (Optional)	25
Recirculation Kit (Optional)	26
Cleanliness Kit (Optional)	28
Content	30
List of Figures	30

## LIST OF FIGURES

Figure 1. Grip and Air Cylinder Assembly, G-DI Gun	5
Figure 2. Head Assembly, G-DI Gun	8
Figure 3. Magnetic Plunger Assembly (Optional)	10
Figure 4. Timer Assembly (Optional), G-DI Gun	12
Figure 5. Auto Assembly (Optional), G-DI Gun	14
Figure 6. Standard Projection Sizes, G-DI Gun	15
Figure 7. Product Inlet Assembly (Optional)	19
Figure 8. Special Projection Assemblies (Optional)	21
Figure 9. Assembly Pour Adapter (Optional)	25
Figure 10. Recirculation Kit (Optional)	26
Figure 11. Cleanliness Kit (Optional)	28